


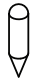



tube 104


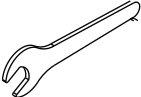
High performance stand

This dedicated stand has been engineered to optimise the imaging, dynamics and overall tonal balance.

Fixing kit per pair

- A** x 8  M8 x 20mm countersunk bolt
- B** x 4  M8 x 35mm countersunk bolt
- C** x 8  Base spike locknut
- D** x 8  Base spike
- E** x 1  Blu-tack strip

Also Included

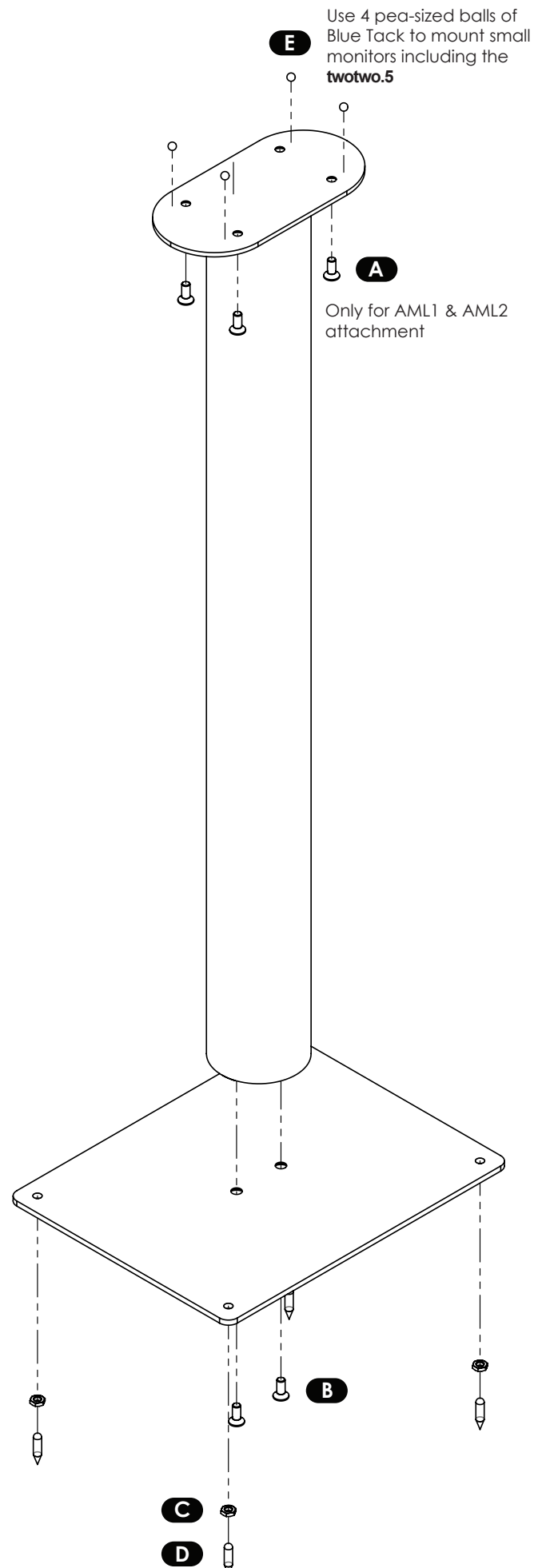
-  x 1 Allen key for assembly
-  x 1 Spike locknut spanner

WARNING

Spikes are sharp and should be treated with great care and may damage hard flooring if in direct contact.

The Professional Monitor Company Ltd has made efforts to provide accurate installation information and good quality fixings. The Professional Monitor Company Ltd will not be held responsible or liable for injuries or property damage - direct, indirect or consequential - arising out of use or inability to use this product safely and properly.





Packing material can pose danger to the young and vulnerable - Ensure these items are kept or disposed of safely.




two
two stand plate with **tube 104**

For use with the **two**two.6 & 8 to allow for the ultimate performance in both vertical and horizontal orientations.

Fixing kit per pair

- A** x 8  Rubber bumper
- B** x 8  M6 x 20mm countersunk bolt
- C** x 8  M8 wing nut
- D** x 2  Cork isolator

Also Included

-  x 1 Allen key for assembly

