

A

B

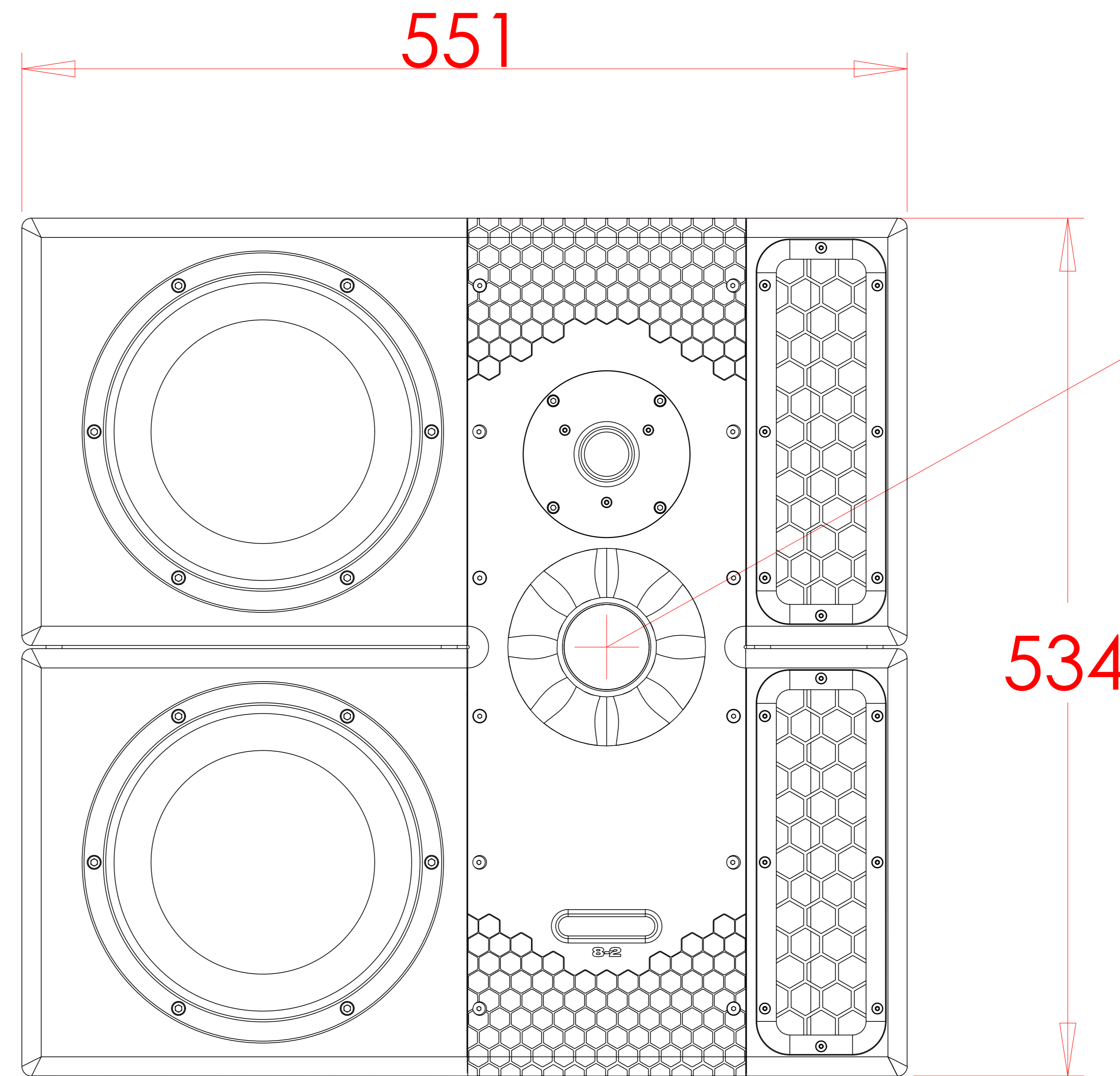
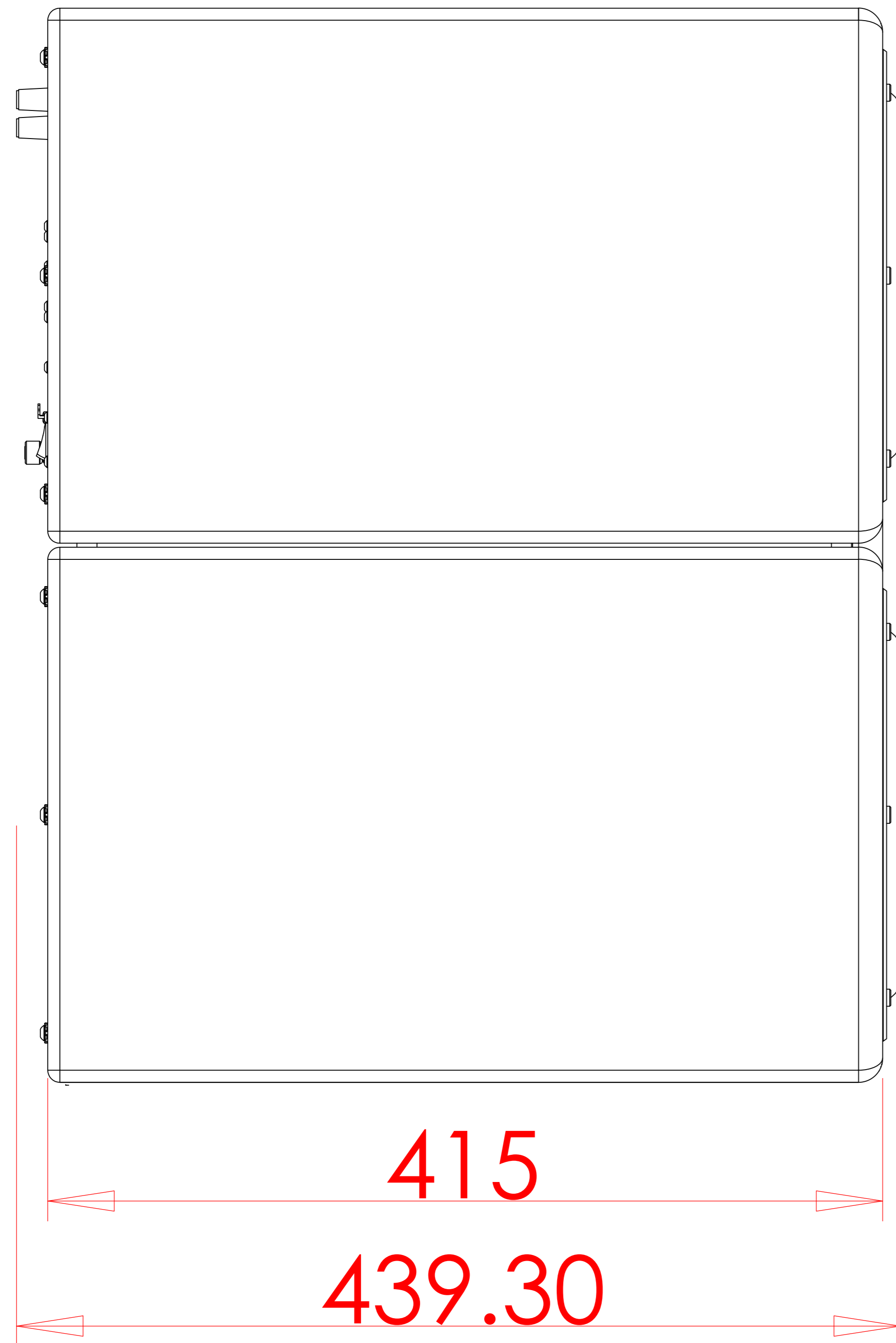
C

D

E

D

E



Product Weights:  
**PMC8-2 - 39KG**



THE PROFESSIONAL MONITOR COMPANY  
 Holme Court  
 Biggleswade, Bedfordshire SG18 9ST  
 Tel: 01767 686 300

|            |  |      |       |             |           |
|------------|--|------|-------|-------------|-----------|
| SIZE       | TITLE  | 5    |       |             |           |
| A3 PROJECT | PMC 8-2  | 4    |       |             |           |
| SCALE      | Studio   | 3    |       |             |           |
| 1:10       | PART NO. REV.                                      | 2    |       |             |           |
| SHEET      | All Tolerances +/-0.2mm<br>Unless otherwise stated | 1    | PM    | Dimensions  | 27/08/21  |
| 1 of 1     | All Dimensions in mm                               | ISS. | INIT. | DESCRIPTION | DATE APP. |