

Mid/Main monitor user guide

IB2S XBD-A//

IB2S-A//

MB3 XBD-A

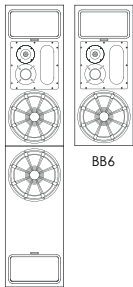
MB3-A

BB6 XBD-A

BB6-A

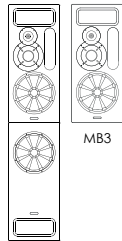
QB1 XBD-A

QB1-A



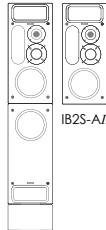
BB6

BB6 XBD-A



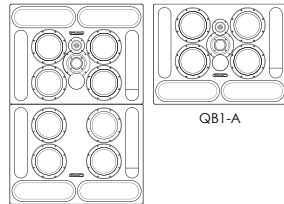
MB3

MB3 XBD-A



IB2S-A//

IB2S XBD-A//



QB1-A

QB1 XBD-A

ATL™

Advanced Transmission Line

PMC®



This document should not be construed as a commitment on the part of The Professional Monitor Company Limited.
The Professional Monitor Company Limited will not assume responsibility for errors that may appear in this document.
Information may be subject to change.

Important



Warranty Certificate

Please take a few moments to complete the warranty card at the back of this booklet (or register at www.pmc-speakers.com) as this not only records the purchase of your loudspeakers, but also provides you with an opportunity to make suggestions and provide feedback directly to PMC.

Product Support

For product support, accessories or servicing advice, please contact a PMC authorised dealer. See www.pmc-speakers.com

Company Details

THE PROFESSIONAL MONITOR COMPANY LIMITED
HOLME COURT BIGGLESWADE BEDFORDSHIRE UK
T +44 (0) 1767 686300 F +44 (0) 870 4441045

email: sales@pmc-speakers.com web: www.pmc-speakers.com

A message from Peter & Oliver Thomas



Our sole aim while designing loudspeakers is to recreate the true essence of an artist's intention, combining the maximum possible sonic resolution with solid engineering principles.

We believe that the same loudspeaker can be used throughout the entire audio chain, from composer to studio or film stage, post-production or mastering and then, finally, the consumer. We also think that a well designed loudspeaker should be able to excel regardless of the audio genre, and reproduce spoken word, rock, pop, or classical music with the same precision and accuracy. Our unswerving passion for getting designs right has made this goal possible.

Thank you for choosing PMC products. Please read this user guide and install your new main monitors according to the advice you'll find in the following pages.

Congratulations - You have joined the elite

PMC: the authority for quality sound.

Stevie Wonder

Pinewood Studios

BBC

Tony Bennett

EMI

Warner Music

Coldplay

elbow

Metropolis Studios

Over more than two decades PMC has earned an unrivalled reputation for creating the world's finest professional loudspeakers. Simply put, our loudspeakers provide a reference for the very highest profile productions and events. They are found at every stage of the creative process, from conception to recording and broadcast and, of course, in the home.

Our client list reads like a who's who of the sonically aware, with Stevie Wonder, Elbow, Coldplay, Brian May, Universal, EMI, Sony, Capitol Studios, Pinewood Studios, Dreamworks, Metropolis Studios and the BBC among the makers of movies and music who use our products.

Our loudspeakers were also used in the production of Titanic, The Bourne Supremacy, Game of Thrones, Skyfall, Finding Dory, the Pirates of the Caribbean franchise, and during broadcasts of the London Olympics, 2012.

UNIVERSAL MUSIC GROUP

Thomas Newman

Afrojack

Kraftwerk

JVC Studios

SONY

ESPN

Capitol Studios

BASEMENT JAXX

User guide

Contents

- 7 General usage guidelines
- 8 Introduction
- 9 Specifications – IB2, MB3, BB6 & QB1
- 17 PMC's **ATL**[™] – How the Advanced Transmission Line works
- 18 System description – IB2, MB3, BB6 & QB1
- 19 User EQ options
- 21 Connections
- 29 Running in
- 30 Accessories
- 31 Positioning
- 34 Surround monitoring systems
- 35 Operational controls
- 48 The PMC range
- 49 Service
- 50 Meticulous care and attention
- 51 Warranty online
- 52 Warranty certificate – Part 1 – your copy
- 53 Warranty certificate – Part 2 – PMC's copy
- 54 Your comments – help us improve
- 55 Inspection certificate
- 56 Notes

General usage guidelines

- 1 Read these instructions and keep them in a safe place for future reference.
- 2 Heed all electrical safety warnings, including any on the loudspeakers themselves.
- 3 Do not use the loudspeakers near water.
- 4 Sufficient clearances and free flow of air are required around the **control1200** and the **power2400**.
- 5 Do not attempt to open the equipment. There are no user serviceable parts inside.
- 6 Please refer all servicing to PMC authorised personnel. Servicing is required when the apparatus is damaged, exposed to moisture, or exhibits a distinct or sudden change of operation or audio performance.
- 7 Unplug this product from both signal source and power during electrical storms or when unused for extended periods of time.
- 8 Packaging material can pose danger to the young and vulnerable. Ensure these items are stored or disposed of safely.
- 9 PMC main monitors can produce sound pressure levels in excess of 120dB. Long-term exposure to high levels of sound has the potential to cause hearing damage. Use care when adjusting the system volume to ensure sound pressure levels remain within safe and comfortable limits.
- 10 PMC main monitors contain very powerful magnets and therefore may have a detrimental effect on nearby magnetically-sensitive items, such as CRT (tube-style) televisions or monitors, and media such as floppy discs, cassettes and videotapes.
- 11 The cabinet should only be cleaned with a dry, lint-free, cloth. Do not use solvents, abrasives, waxes or liquids as they may be detrimental to the finish.
- 12 The **control1200** and the **power2400** can produce hazardously high outputs, installation must be carried out by trained staff.
- 13 PMC has made efforts to provide accurate installation information and good quality fixings. However, PMC will not be held responsible or liable for injuries or property damage (direct, indirect or consequential) arising out of use or inability to use this product safely and properly.
- 14 This product may contain nuts.

Introduction

Together, our IB, MB, BB and QB reference monitor series comprise the world-class PMC Mid/Main Monitor range — a quartet of fully active three-way studio designs combining custom PMC-designed drivers, Class-D electronics, carefully engineered DSP control and the company's proprietary **ATL™** bass-loading technology to deliver the ultimate in power and precision, with forensic levels of detail.

The range's combination of its highly damped, low-resonance cabinets and unique **ATL™** technology ensures that unwanted mid-range energy is absorbed, while bass output is substantially extended whilst having insignificant harmonic distortion. Every element of the design is carefully considered to maximise transparency and resolution, all the way down to the absorbent material on the front baffles, which reduce reflections for improved dispersion and definition, allowing instruments and vocals to be reproduced more vividly and with greater presence and clarity than ever before.

The drivers are bespoke PMC creations, with the HF and mid-range drivers common to all three designs. The 34mm soft-dome tweeter is the most sensitive direct radiating tweeter available anywhere, with a proven track record for delivering neutral, uncoloured high-resolution audio.

The perforated acoustic lens extends the response beyond 25kHz and controls dispersion to ensure perfect integration with the highly efficient, low-distortion 75mm soft-dome mid-range driver through the crossover region.

The MB and BB series feature extremely powerful, custom-tailored Radial bass units, renowned for their dynamic response and thermal efficiency — a 12-inch driver on the MB3, a 15-inch on the BB6 — while the IB and QB1 features individually matched PMC 10-inch piston drivers for the last word in accurate, near-instantaneous transient response. Perfectly integrated with the **ATL™**, these deliver the clean, accurate and extended bass for which PMC is renowned.

The 19-inch rackmount, externally housed electronics provide cutting-edge, ultra-low distortion Class-D power amplification, with a DSP-based crossover providing perfect driver optimisation and integration, as well as a non-invasive protective limiting system.

Remote control facilities enable the user to calibrate the system level and equalisation, as well as select between analogue and AES3 digital inputs, and recall personal equalisation presets.

All of PMC's Mid/Main Monitors are available as XBD-A versions, which feature a second bass driver in a separate powered cabinet, increasing the available LF headroom of the system by 3dB. The XBD-Active cabinet can also be used as a stand-alone subwoofer or LFE monitor if desired.

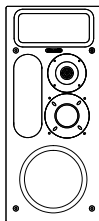
IB2S-AII

Specification

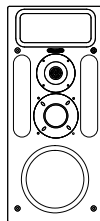
Type	Active 3-way, single-cabinet reference monitor
Usable frequency response	25Hz - 25kHz
Maximum SPL	125dB @1metre
Effective length	2.4m (8ft)
Crossover frequencies	380Hz & 3.8kHz
Drive unit complement	LF 250mm/ 10" PMC Carbon Fibre/ Nomex™ piston driver MF PMC hand-built 75mm soft-dome driver HF PMC 34mm soft-dome tweeter with acoustic radiator
Amplifier power	LF 1 x 1200Wrms MF 1 x 550Wrms HF 1 x 275Wrms
I/O	Balanced analogue input, digital AES3 input
Digital input	AES3, 24-bit, 96kHz
Analogue input sensitivity	Adjustable +4dB to +20dBu
EQ	LF shelf +/-8dB, HF shelf +/-8dB
Remote control	Wired via RJ45, rotary volume -48.5dB to +15dB
Operational voltage	100-115V/220-230V selectable
Cabinet dimensions	H 745mm (29.3") W 330mm (12.9") D 564mm (22.2")
Weight	46.5kg (102.5lbs) each
Available finishes	Studio black

System checklist (pair)

- 1 x IB2S-AII left hand cabinet
- 1 x IB2S-AII right hand cabinet
- 2 x **control1200**
- 2 x **power2400**
- 2 x mains connectors
- 2 x XLR interconnect cables
- 2 x D-SUB interconnect cables
- 1 x 20m RJ45 cable
- 1 x 10m RJ45 cable
- 1 x **rc2** remote controller
- 2 x speaker loom cables



IB2S-AII
(Left)



IB2S-AII
(Vertical centre)

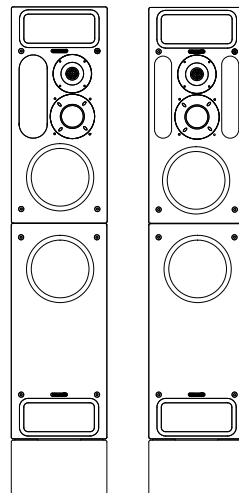
IB2S XBD-A//

Specification

Type	Active 3-way, single-cabinet reference monitor
Usable frequency response	25Hz - 25kHz
Maximum SPL	128dB @1metre
Effective length	2 x 2.4m (8ft)
Crossover frequencies	380Hz & 3.8kHz
Drive unit complement	LF 2 x 250mm/ 10" PMC Carbon Fibre/ Nomex™ piston driver MF PMC hand-built 75mm soft-dome driver HF PMC 34mm soft-dome tweeter with acoustic radiator
Amplifier power	LF & LFX 1 x 2400Wrms MF 1 x 550Wrms HF 1 x 275Wrms
I/O	Balanced analogue input, digital AES3 input
Digital input	AES3, 24-bit, 96kHz
Analogue input sensitivity	Adjustable +4dB to +20dBu
EQ	LF shelf +/-8dB, HF shelf +/-8dB
Remote control	Wired via RJ45, rotary volume -48.5dB to +15dB
Operational voltage	100-115V/220-230V selectable
Cabinet dimensions	H 1500mm (59") plus 190mm plinth (+25mm adjustable feet) W 330mm (12.9") D 564mm (22.2")
Weight	90kg (198.4lbs) each
Available finishes	Studio black

System checklist (pair)

- 2 x IB2S-A// cabinets
- 2 x XBD-A (IB2S-A//) cabinets
- 2 x **control1200**
- 2 x **power2400**
- 2 x mains connectors
- 2 x XLR interconnect cables
- 2 x D-SUB interconnect cables
- 1 x 20m RJ45 cable
- 1 x 10m RJ45 cable
- 1 x **rc2** remote controller
- 2 x speaker loom cables
- 2 x High mass 190mm plinth



IB2S XBD-A//
(Left)

IB2S XBD-A//
(Vertical centre)

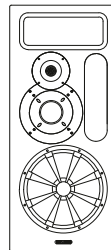
MB3-A

Specification

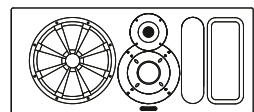
Type	Active 3-way, single-cabinet reference monitor
Usable frequency response	20Hz - 25kHz
Maximum SPL	126dB @1metre
Effective length	3m (10ft)
Crossover frequencies	380Hz & 3.8kHz
Drive unit complement	LF PMC 310mm (12-inch) Radial™ driver MF PMC hand-built 75mm soft-dome driver HF PMC 34mm soft-dome tweeter with acoustic radiator
Amplifier power	LF 1 x 1200Wrms MF 1 x 550Wrms HF 1 x 275Wrms
I/O	Balanced analogue input, digital AES3 input
Digital input	AES3, 24-bit, 96kHz
Analogue input sensitivity	Adjustable +4dB to +20dBu
EQ	LF shelf +/-8dB, HF shelf +/-8dB
Remote control	Wired via RJ45, rotary volume -48.5dB to +15dB
Operational voltage	115V/230V
Cabinet dimensions	H 870mm (34.2") W 380mm (15") D 535mm (21")
Weight	49kg (108lbs) each
Available finishes	Studio black

System checklist (pair)

- 1 x MB3-A left hand cabinet
- 1 x MB3-A right hand cabinet
- 2 x **control1200**
- 2 x **power2400**
- 2 x mains connectors
- 2 x XLR interconnect cables
- 2 x D-SUB interconnect cables
- 1 x 20m RJ45 cable
- 1 x 10m RJ45 cable
- 1 x **rc2** remote controller
- 2 x speaker loom cables



MB3-A
(Right)



MB3-C-A
(Horizontal centre)

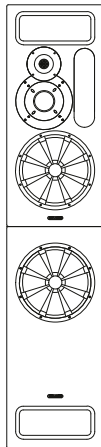
MB3 XBD-A

Specification

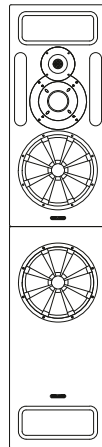
Type	Active 3-way, twin-cabinet reference monitor
Usable frequency response	20Hz - 25kHz
Maximum SPL	129dB @ 1metre
Effective ATL™ length	2 x 3m (10ft)
Crossover frequencies	380Hz & 3.8kHz
Drive unit complement	LF 2 x PMC 310mm (12-inch) Radial™ driver MF PMC hand-built 75mm soft-dome driver HF PMC 34mm soft-dome tweeter with acoustic radiator
Amplifier power	LF & LFX 1 x 2400Wrms MF 1 x 550Wrms HF 1 x 275Wrms
I/O	Balanced analogue input, digital AES3 input
Digital input	AES3, 24-bit, 96kHz
Analogue input sensitivity	Adjustable +4dB to +20dBu
EQ	LF shelf +/-8dB, HF shelf +/-8dB
Remote control	Wired via RJ45, rotary volume -48.5dB to +15dB
Operational voltage	115V/230V
Cabinet dimensions	H 1740mm (68.5") W 380mm (15") D 535mm (21")
Weight	88kg (194lbs) per channel
Available finishes	Studio black

System checklist (pair)

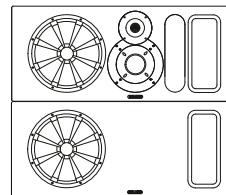
- 2 x MB3-A 3-way cabinets
- 2 x XBD-A (MB3-A) cabinets
- 2 x **control1200**
- 2 x **power2400**
- 2 x mains connectors
- 2 x XLR interconnect cables
- 2 x D-SUB interconnect cables
- 1 x 20m RJ45 cable
- 1 x 10m RJ45 cable
- 1 x **rc2** remote controller
- 2 x speaker loom cables



MB3 XBD-A
(Right)



MB3 XBD-C-A
(Vertical centre)



MB3 XBD-C-A
(Horizontal centre)

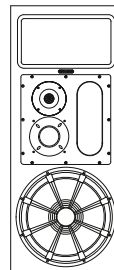
BB6-A

Specification

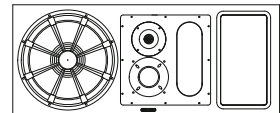
Type	Active 3-way, single-cabinet reference monitor
Usable frequency response	17Hz - 25kHz
Maximum SPL	128dB @1metre
Effective ATL™ length	4m (13ft)
Crossover frequencies	380Hz & 3.8kHz
Drive unit complement	LF PMC 380mm (15-inch) Radial™ driver MF PMC hand-built 75mm soft-dome driver HF PMC 34mm soft-dome tweeter with acoustic radiator
Amplifier power	LF 1 x 2400Wrms MF 1 x 550Wrms HF 1 x 275Wrms
I/O	Balanced analogue input, digital AES3 input
Digital input	AES3, 24-bit, 96kHz
Analogue input sensitivity	Adjustable +4dB to +20dBu
EQ	LF shelf +/-8dB, HF shelf +/-8dB
Remote control	Wired via RJ45, rotary volume -48.5dB to +15dB
Operational voltage	115V/230V
Cabinet dimensions	H 1040mm (40.9") W 432mm (17") D 790mm (31.1")
Weight	73kg (161lbs) each
Available finishes	Studio black

System checklist (pair)

- 1 x BB6-A left hand cabinet
- 1 x BB6-A right hand cabinet
- 2 x **control1200**
- 2 x **power2400**
- 2 x mains connectors
- 2 x XLR interconnect cables
- 2 x D-SUB interconnect cables
- 1 x 20m RJ45 cable
- 1 x 10m RJ45 cable
- 1 x **rc2** remote controller
- 2 x speaker loom cables



BB6
(Right)



BB6-C
(Horizontal centre)

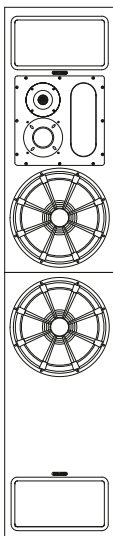
BB6 XBD-A

Specification

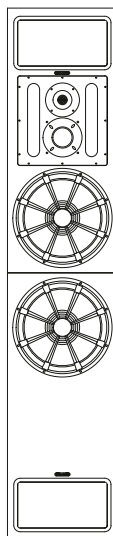
Type	Active 3-way, twin-cabinet reference monitor
Usable frequency response	17Hz - 25kHz
Maximum SPL	131dB @ 1metre
Effective ATL™ length	2 x 4m (13ft)
Crossover frequencies	380Hz & 3.8kHz
Drive unit complement	LF 2 x PMC 380mm (15-inch) Radial™ driver MF PMC hand-built 75mm soft-dome driver HF PMC 34mm soft-dome tweeter with acoustic radiator
Amplifier power	LF 2 x 2400Wrms MF 1 x 550Wrms HF 1 x 275Wrms
I/O	Balanced analogue input, digital AES3 input
Digital input	AES3, 24-bit, 96kHz
Analogue input sensitivity	Adjustable +4dB to +20dBu
EQ	LF shelf +/-8dB, HF shelf +/-8dB
Remote control	Wired via RJ45, rotary volume -48.5dB to +15dB
Operational voltage	115V/230V
Cabinet dimensions	H 2080mm (81.8") W 432mm (17") D 790mm (31.1")
Weight	136kg (300lbs) per channel
Available finishes	Studio black

System checklist (pair)

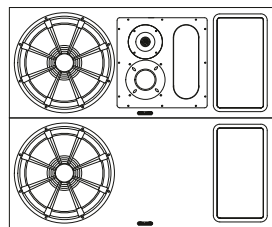
- 2 x BB6-A 3-way cabinets
- 2 x XBD-A (BB6-A) cabinets
- 2 x **control1200**
- 4 x **power2400**
- 2 x mains connectors
- 2 x XLR interconnect cables
- 4 x D-SUB interconnect cables
- 1 x 20m RJ45 cable
- 1 x 10m RJ45 cable
- 1 x **rc2** remote controller
- 2 x speaker loom cables



BB6 XBD-A
(Left)



BB6 XBD-C-A
(Vertical centre)



BB6 XBD-C-A
(Horizontal centre)

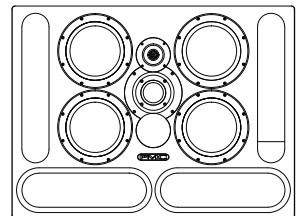
QB1-A

Specification

Type	Active, single cabinet reference monitor
Usable frequency response	20Hz - 25kHz
Maximum SPL	132dB @1 metre
Effective ATL™ length	2.7m (8.9ft)
Crossover frequencies	380Hz & 3.8kHz
Drive unit complement	LF 4 x PMC 250mm/10" piston driver MF PMC hand-built 75mm soft dome driver HF PMC 34mm soft dome tweeter with acoustic radiator
Amplifier power	LF 2 x 2400Wrms MF 1 x 550Wrms HF 1 x 275Wrms
I/O	Balanced analogue input, digital AES3 input
Digital input	AES3, 96kHz 24bit
Analogue input sensitivity	Adjustable +4dB to +20dBu
EQ	LF shelf +/-8dB, HF shelf +/-8dB
Remote control	Wired via RJ45, rotary volume -48.5dB to +15dB
Operational voltage	115V/230V
Cabinet dimensions	H 820mm (32.2") W 1092mm (42.9") D 523mm (20.6") (max depth)
Weight	150kg (330lbs) each

System checklist (pair)

- 2 x QB1-A 3-way cabinets
- 2 x **control1200**
- 4 x **power2400**
- 2 x mains connectors
- 2 x XLR interconnect cables
- 4 x DSUB interconnect cables
- 1 x 20m RJ45 cable
- 1 x 10m RJ45 cable
- 1 x **rc2** remote controller
- 2 x speaker loom cables



QB1-A

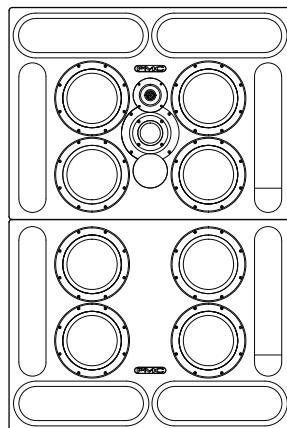
QB1 XBD-A

Specification

Type	Active, twin-cabinet reference monitor
Usable frequency response	17Hz - 25kHz
Maximum SPL	132dB @1 metre
Effective ATL™ length	2 x 2.7m (8.9ft)
Crossover frequencies	380Hz & 3.8kHz
Drive unit complement	LF 8 x PMC 250mm/10" piston driver MF PMC hand-built 75mm soft dome driver HF PMC 34mm soft dome tweeter with acoustic radiator
Amplifier power	LF 4 x 2400Wrms MF 1 x 550Wrms HF 1 x 275Wrms
I/O	Balanced analogue input, digital AES3 input
Digital input	AES3, 96kHz 24bit
Analogue input sensitivity	Adjustable +4dB to +20dBu
EQ	LF shelf +/-8dB, HF shelf +/-8dB
Remote control	Wired via RJ45, rotary volume -48.5dB to +15dB
Operational voltage	115V/230V
Cabinet dimensions	H 1640mm (64.6") W 1092mm (42.9") D 523mm (20.6") (max depth)
Weight	290kg (639lbs) per channel

System checklist (pair)

- 2 x QB1-A 3-way cabinets
- 2 x XBD-A (QB1-A) cabinets
- 2 x **control1200**
- 8 x **power2400**
- 2 x mains connectors
- 4 x XLR interconnect cables
- 8 x DSUB interconnect cables
- 1 x 20m RJ45 cable
- 1 x 10m RJ45 cable
- 1 x **rc2** remote controller
- 2 x speaker loom cables



QB1 XBD-A

Advanced Transmission Line: How it works



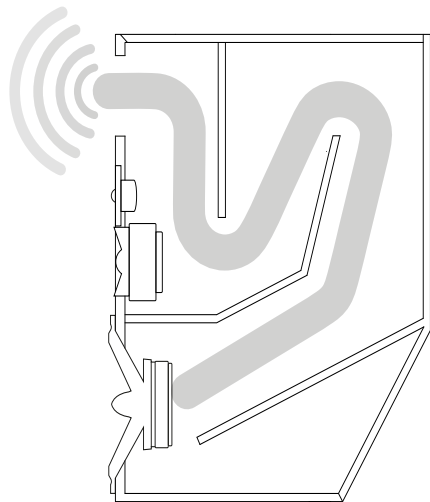
PMC's unique **ATL™** (Advanced Transmission Line) enclosures have taken loudspeaker design to the highest level, using sophisticated cabinet construction, proprietary drive units, and patented absorption materials and techniques. The benefits are enormous compared to the relatively simple sealed and ported designs currently available elsewhere.

PMC's innovative approach places the bass driver near one end of a long tunnel (the Advanced Transmission Line). This tunnel is heavily damped with acoustic material specified carefully to absorb the upper bass and higher frequencies radiating from the rear of the bass driver. The lowest frequencies are allowed to pass down the line and emerge from the large vent in the same polarity as the driver's frontal radiation, the vent acting essentially as a second bass driver.

An important benefit of the **ATL™** approach is that the air pressure inside the cabinet, loading the bass driver, is maintained. This helps to control the driver over a wide frequency range and significantly reduces LF distortion. Consequently, the upper bass and midrange detail is not masked by harmonic distortion and the result is PMC's

characteristically transparent midrange, fast, attacking bass, and outstanding clarity.

A further advantage is greater bass extension and loudness than a ported or sealed design of a similar size, even if similar drivers were used. Moreover, the very consistent bass driver loading brings the welcome benefit that the frequency response remains consistent regardless of listening level, and analytical auditioning can be conducted without the need for high replay volumes to achieve optimal bass response – a unique and very valuable characteristic.



BB6-A

'No other bass loading technology provides such resolution and tonal accuracy at all volume levels'

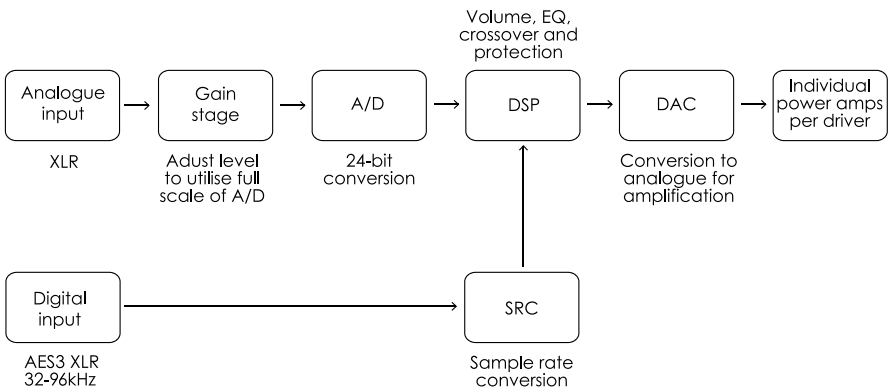
System description – IB2, MB3, BB6 & QB1

The electronic heart of PMC's mid/main monitors is a powerful DSP stage which operates at a fixed sample rate of 192kHz. The balanced analogue line input level is conditioned by a low-noise gain stage prior to A-D conversion, to optimise the signal-noise ratio. The converter is a very high quality multi-bit delta-sigma device, producing a 24 bit, 192kHz output. The AES3 digital input is sample rate converted to 192kHz.

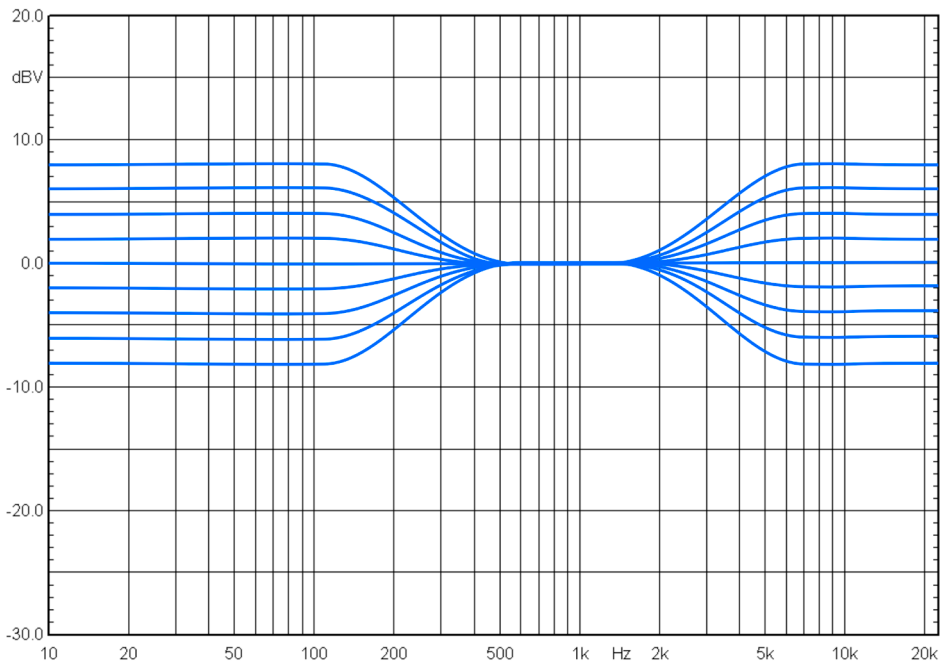
The DSP stage provides the overall system level control, 24dB/octave precision crossovers, and both driver optimisation and

protection. The sophisticated digital signal processing enables perfect matching between the three drivers' responses and roll-off rates, optimising the contribution of each driver, minimising distortion, and providing a flatter and more natural balance over the widest possible listening area.

The output signals from the DSP system are converted back to analogue to feed three separate Class-D power amplifiers and their respective drivers. The amplifier design ensures that driver impedance variations with frequency are fully compensated to maintain a uniform frequency response.



User EQ options



The main monitor series master cabinet remote control unit has facilities for five user-configurable equalisation presets, each of which can be named for easy recognition (eg. Frank, Geoff etc).

These DSP-based user-equalisation options include LF and HF shelf responses, as shown in the graph above, each adjustable over a range of ± 8 dB in increments of less than 1dB, with fixed knee frequencies of 200Hz and 5kHz, respectively.

Connections



Caution

To avoid potential damage, please ensure that the signal source is turned off before connecting or disconnecting your active loudspeakers.

Connections

The rear panels of the **control1200** and **power2400** carry various connectors for audio, control and mains power.

Audio

The electronically-balanced analogue audio input and the AES3 digital input accept 3-pin male XLR connectors, wired with Pin-1 screen (ground), Pin-2 signal positive (hot), and Pin-3 signal negative (cold). If the monitor is to be used with an unbalanced analogue signal source pins 1 and 3 of the input XLR should be connected together inside the male XLR plug. Thru connections are provided for signal distribution.

Power

A single IEC (C14) mains socket is provided with an integral fuse-holder for the **control1200** and an IEC (C20) mains socket with a separate fuse-holder is provided for the **power2400**, both include a voltage selector (115/230VAC) and a power switch. Only change fuses with the power cord removed completely from the **control1200** or **power2400**. A remote powering facility is provided via the 'Trigger In' terminals which accept a 4 to 12V AC or DC voltage to enable remote switch on from an external device. The Trigger Thru terminals can be used to extend the control signal to another speaker in the system.

Remote Control

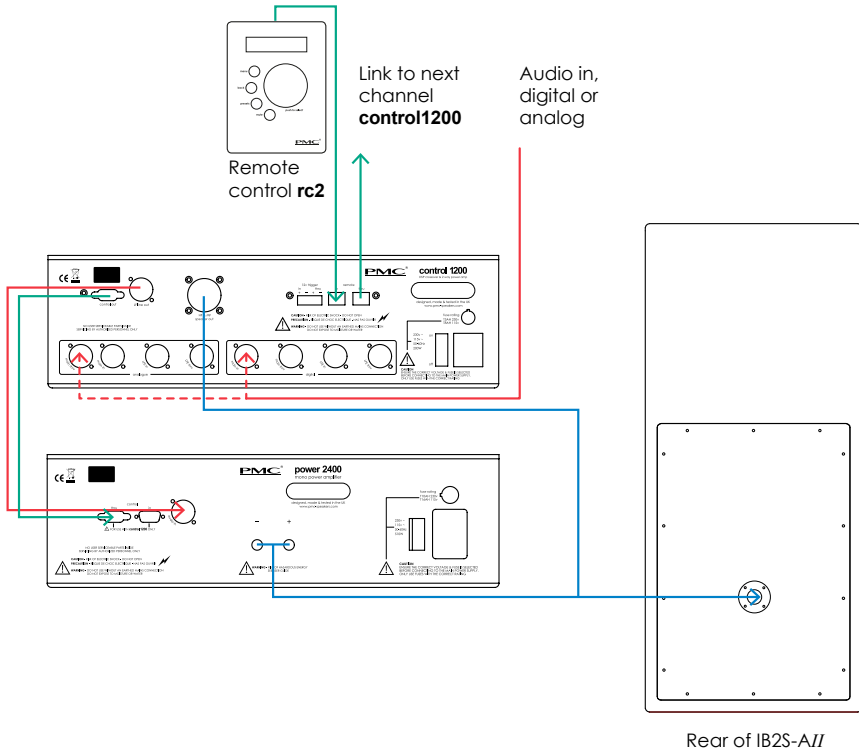
The 'Remote In' RJ45 socket accepts the connection from the remote control unit, while the Thru socket is used to distribute the control signal to the next speaker in the system. Please Note that the final loudspeaker in the chain must have the loopback connector fitted to the RJ45 Remote Thru socket.



Note: The control1200 and power2400 units must be earthed

IB2S-AII

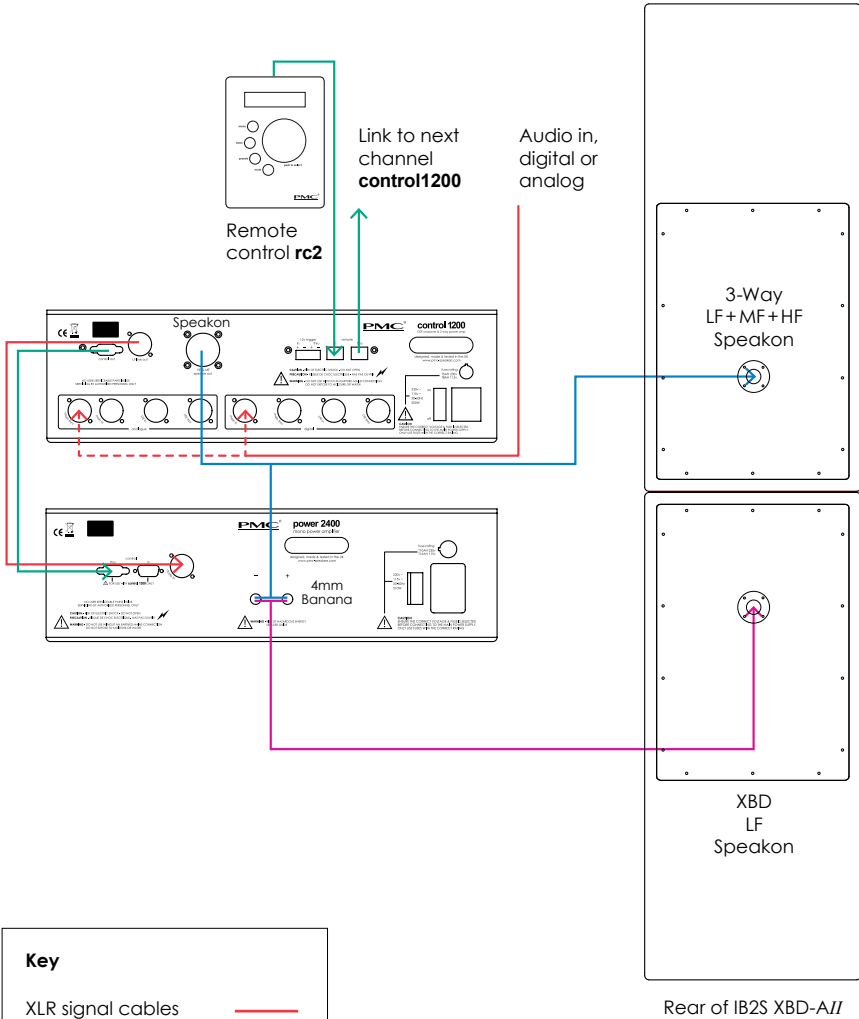
connections



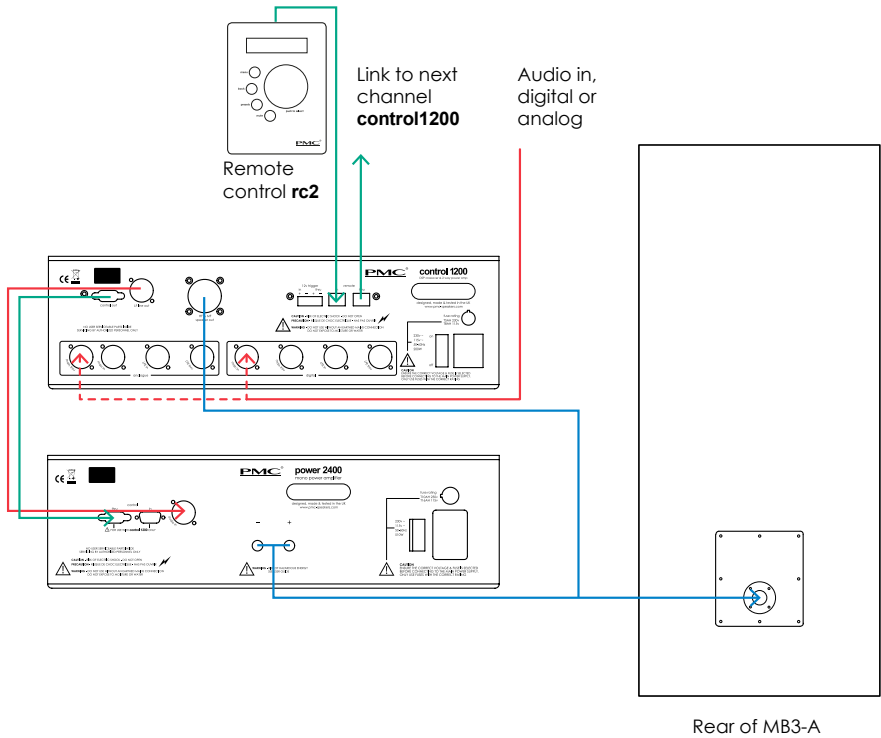
Key

- XLR signal cables ————
- Speaker cables ————
- Control cables (RJ45 or 9 pin dsub) ————

IB2S XBD-A// connections

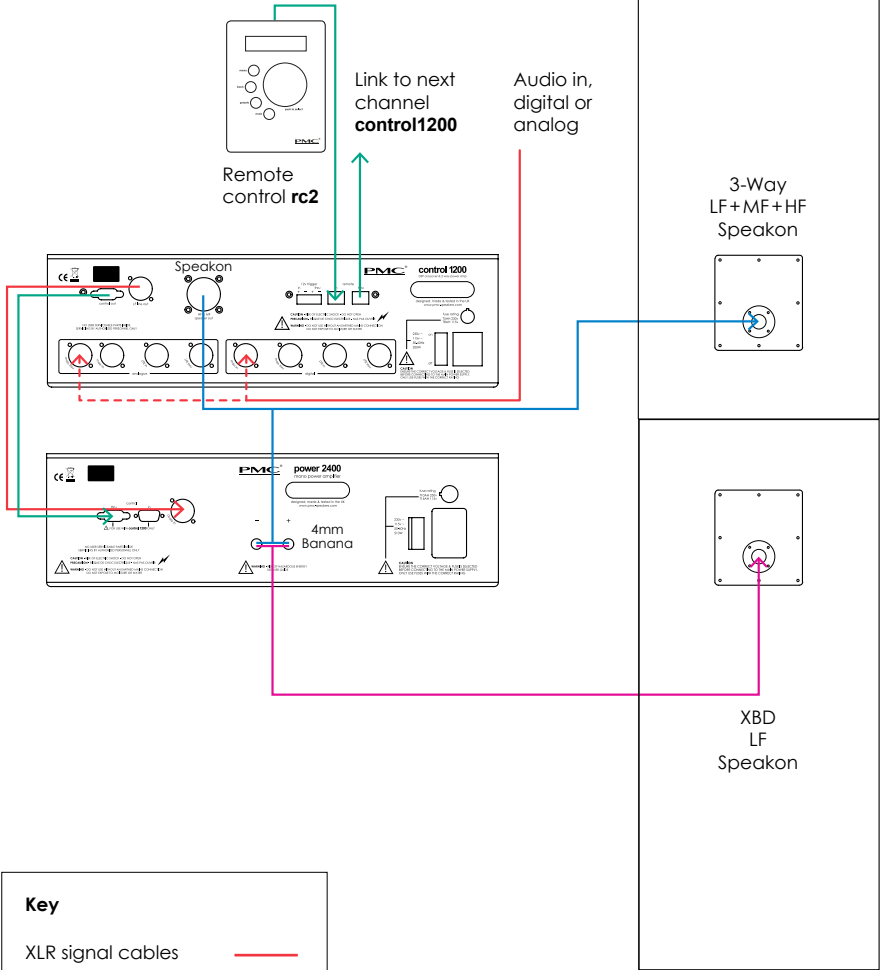


MB3-A connections



Key	
XLR signal cables	—
Speaker cables	—
Control cables (RJ45 or 9 pin dsub)	—

MB3 XBD-A connections

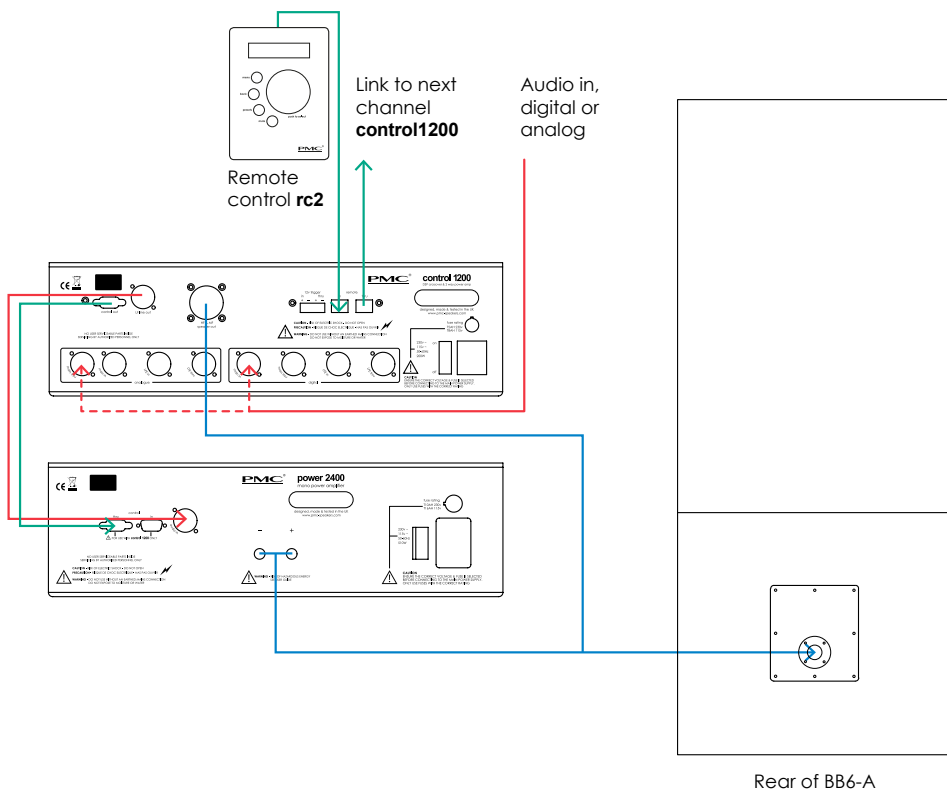


Key

- XLR signal cables ————
- Speaker cable Master ————
- Speaker cable XBD ————
- Control cables (RJ45 or 9 pin dsub) ————

Rear of MB3 XBD-A

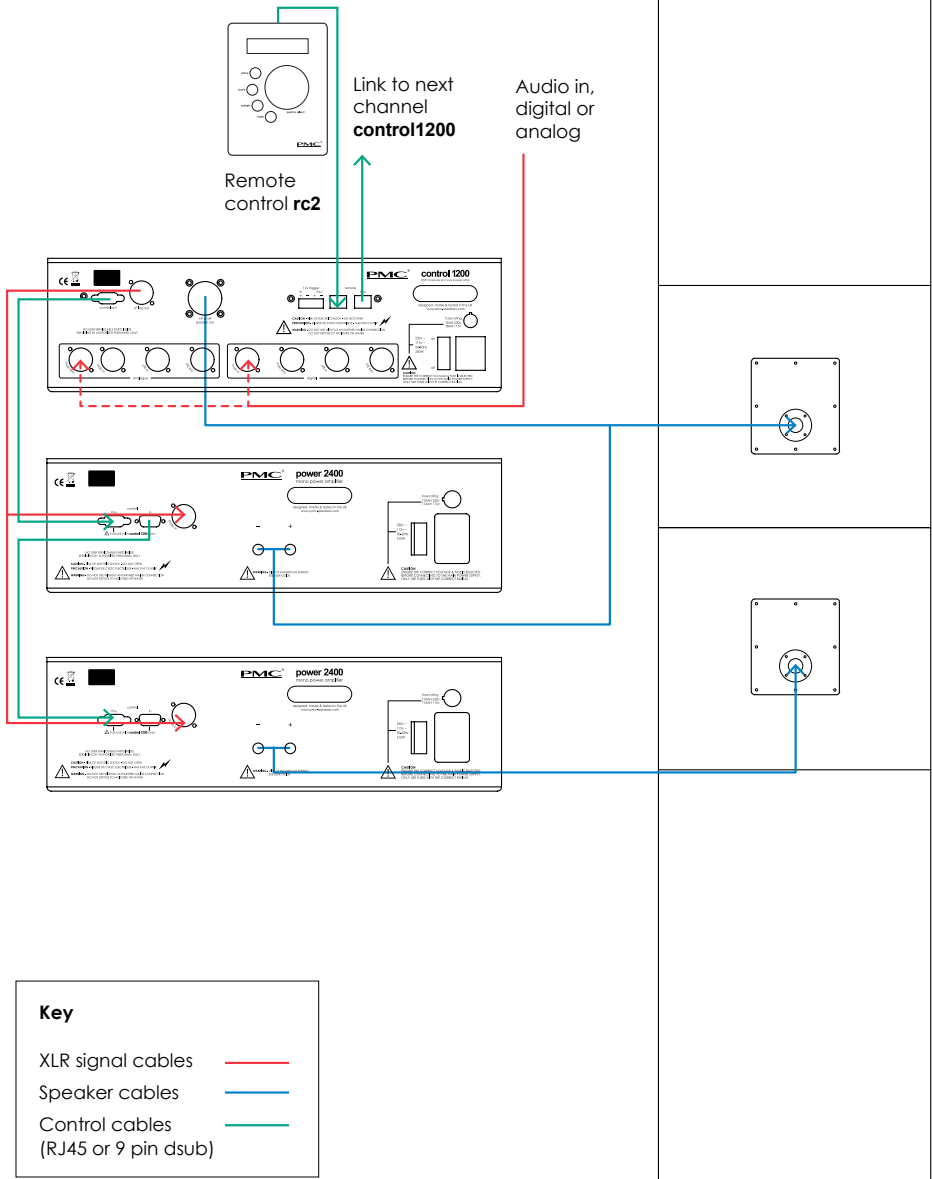
BB6-A connections



Key

- XLR signal cables —
- Speaker cables —
- Control cables (RJ45 or 9 pin dsub) —

BB6 XBD-A connections

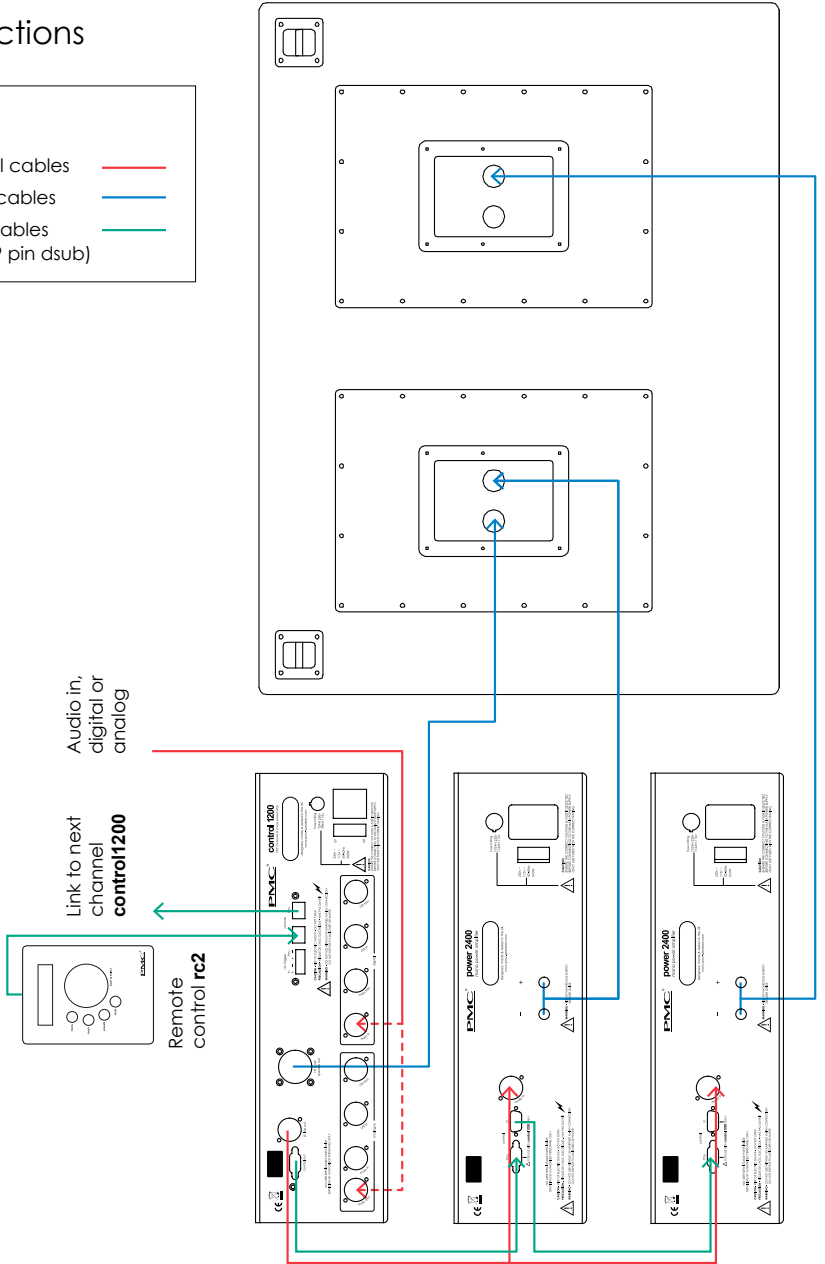


Rear of BB6-A

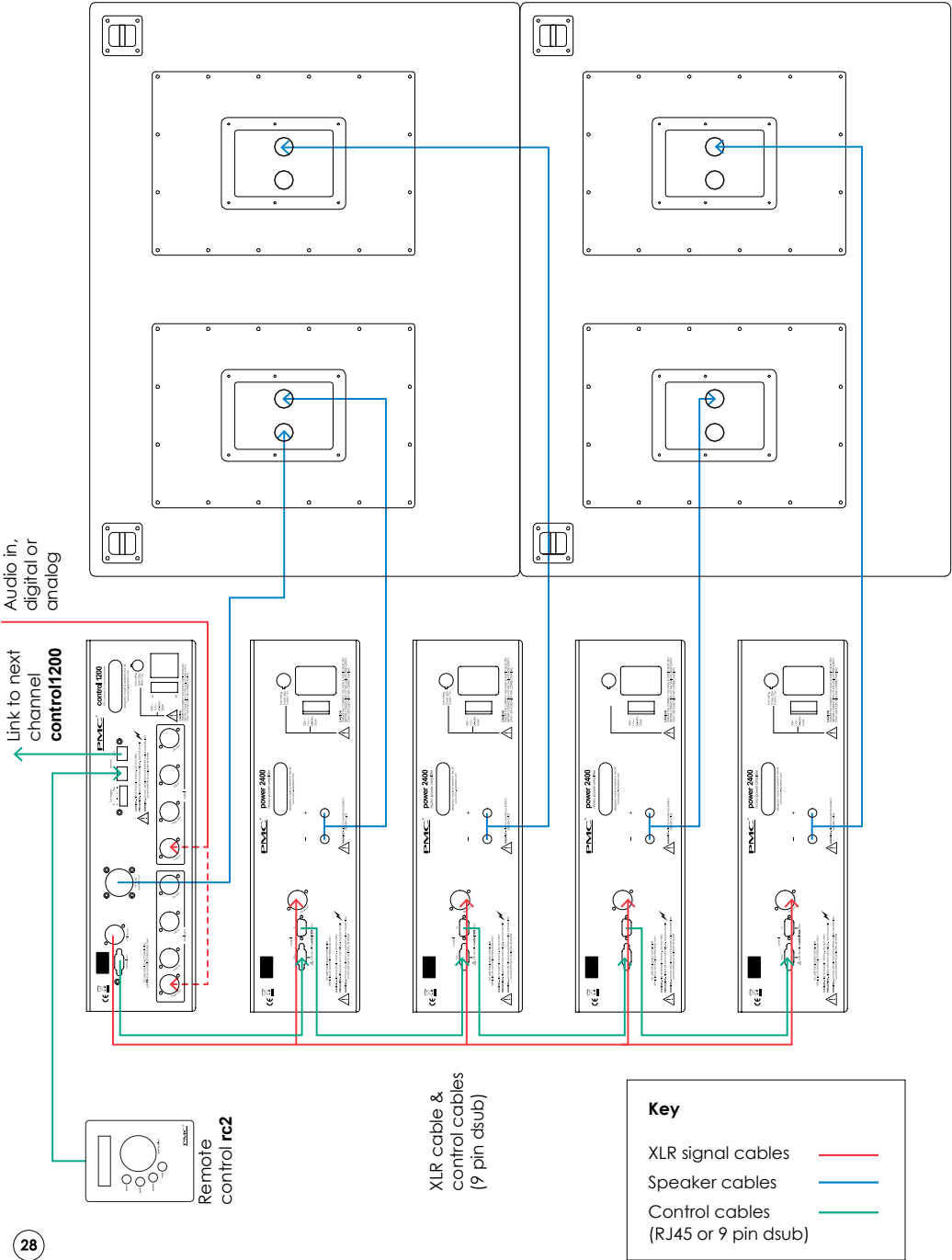
QB1-A connections

Key

- XLR signal cables —
- Speaker cables —
- Control cables (RJ45 or 9 pin dsub) —



QB1 XBD-A connections



Running-in



When brand new, PMC monitors take a short period of use before they reach their full potential.

This is because the mechanical and acoustical characteristics of the bass, midrange and treble drive units alter slightly after manufacture as the flexible elements in their construction relax and reach their optimum compliancy. The **ATL™** cabinet parameters are critically designed to load the bass driver accurately only when it has reached its long-term, optimal compliancy.

Consequently, during the initial running-in period of about 50 hours, the performance of the monitor will change and improve. You will notice the bass tonality becoming warmer, fuller and more natural, and the bass extension will increase significantly. As the tweeter relaxes the treble tonality also sweetens and integrates perfectly with the midrange unit, and the sound staging becomes vivid.

50+ hours to run-in

Accessories & options

Stands

It is critical that monitor loudspeakers are positioned at the correct height and kept stable during operation. However, the structure and materials used to support the monitor will have a bearing on how it performs. The purpose-designed studio frame stands have been developed with extensive listening tests in both the consumer and professional environments to optimise the imaging, dynamics and overall tonal balance.

XBD cabinets

One or more XBDs-Active cabinets can be incorporated where greater low-frequency extension or headroom is required, or where a dedicated effects subwoofer is appropriate. Harmonic distortion generated by a poor quality subwoofer will mask critical mid-frequency information from the main monitors, and also reveal the physical location of the subwoofer. However, PMC's unique **ATL**™ cabinet design ensures extremely low levels of harmonic distortion and provides seamless acoustical and control integration with the master cabinets.

Remote control

IB2, MB3, BB6 and QB1 monitors can be linked together and controlled by a **rc2** remote control, up to a limit of 12 channels.

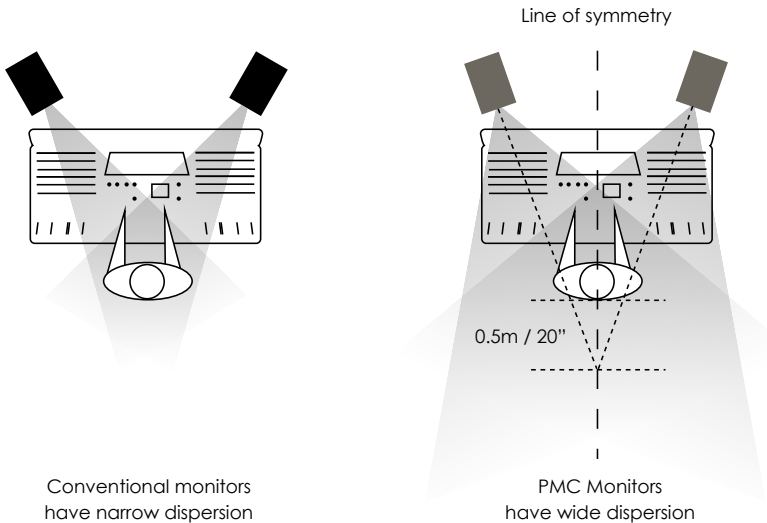


Positioning

With their unique **ATL™** cabinet design, wide dispersion, ultra-low distortion, and smooth bass roll-off, PMC loudspeakers are more forgiving of difficult room conditions and placement constraints than conventional designs – you will be able to achieve a superb sound throughout the room with little effort. However, we encourage you to spend some time experimenting in your own room to achieve the very best results, remembering that small changes in location can often influence system performance significantly. The following guidelines are suggestions for a starting point to locate your new loudspeakers. Fine-tuning of their positioning can start from there.

Dispersion and Toeing-in

Most loudspeakers have a relatively narrow dispersion and are designed to be aimed directly at the listening position, as shown in the left-hand image below. However, the excellent stereo imaging which PMC monitors are known for is due, in part, to their wide dispersion characteristic, as shown on the right-hand image. To optimise the stereo imaging, PMC monitors should be angled so that their axes cross about 0.5 metres (2ft) behind the listening position (as illustrated below). Varying this toe-in angle will subtly affect the vividness of the audio soundstage. A good music track with vivid vocals will help to determine the best position.



When initially positioning the loudspeakers, ideally they should be located at two of the three points of an equilateral triangle, with the listener at the third. If the monitors are spaced too far apart the stereo image will be wide but central definition will be impaired. Use a well recorded vocal track to judge the ideal placement.

Attention should be paid to the effect of reflective surfaces such as side walls and objects in close proximity to the loudspeakers, as excessive nearfield reflections will blur the stereo imaging significantly and may introduce unwelcome colouration of the sound.

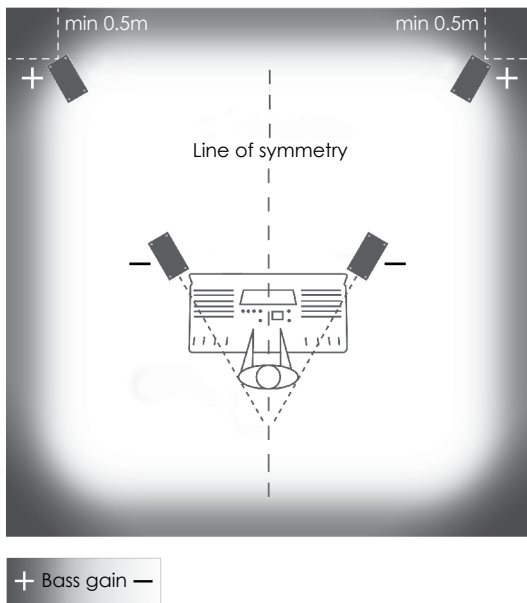
TIP Place the speakers so that their front baffles are well forward of any objects placed between them, such as computer display screens.

TIP To prevent vertical room modes from causing boominess, do not position the speaker such that the bass driver is at an even proportion of the room height, such as a half or a quarter.

TIP Plinth modules can be used to raise the cabinets to help tune the bass response with respect to the room boundaries.

Bass Response

PMC's main monitors can produce significant bass energy below the frequencies at which they become omnidirectional. As a consequence, it is important to consider the effect of the boundaries of the listening room when placing the monitors. The use of plinth modules can assist in fine tuning the in-room bass response.



TIP

Ideally, the monitors should be placed more than 0.5 metres from the side and rear walls of the room so that reinforcement and cancellation (peaks and dips) of the bass output caused by wall reflections will be moved higher in frequency and thus less influential. This reduces the incidence of 'lumpy' or 'boomy' bass. Small changes in position can have profound effects on the bass response, so experiment to find the optimal position.

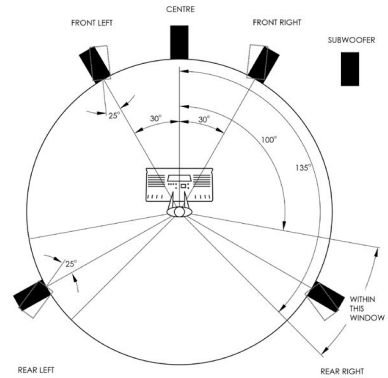
Surround monitoring systems

5.1 Systems

The main monitor series monitors have been designed for perfect multi-channel playback. The following diagrams show the ideal layouts.

TIP Room size and shape will often force some loudspeakers to be placed closer or further from the listening position than is ideal. In such situations the time-alignment facilities of the surround processor or monitor controller should be employed to compensate.

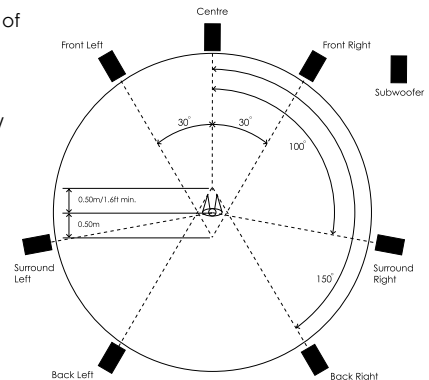
TIP The subwoofer carries the LFE signal as well as the low bass from some, or all, of the main monitors when bass management is being used. The subwoofer should be placed at the front of the room, the optimal position providing the smoothest low bass without boomy or weak notes.



7.1 Systems

In a system capable of 7.1 Dolby® Digital Surround EX™, DTS® ES™ or Blu-ray™ playback, there will be two sets of surround speakers. The first pair (surround or side channels) should be positioned at 100°, and the second set (rear or back channels) at 150°. (The front centre axis is 0° while directly to the rear of the room is 180°).

TIP The LFE input on the **control1200** mixes the .1 effects/LFE channel signal into the main monitors. Such is their LF performance they are easily capable of faithfully reproducing these frequencies



Dolby® Digital Surround EX™ is a registered trademark of Dolby® Laboratories. DTS® ES™ are registered trademarks of DTS® Inc. Blu-ray™ is a trademark of the Blu-ray™ Disc Association.

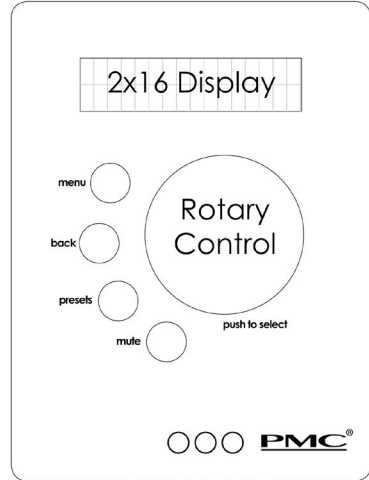
Operational controls

PMC main monitors are configured and controlled via the supplied remote control panel which has an LCD display with two rows of up to 16 characters each, plus four push buttons and a rotary control.

The top push button accesses the configuration menu, with a back button to exit. The preset button accesses the user preset facilities, and the mute button mutes the loudspeakers.

The menu displays are navigated using the rotary control wheel which has a push-button action that is used to select the currently displayed parameter.

The generic display is shown below. The lower row identifies the loudspeakers connected in the system (Left, Centre, Right, Left Surround, Right Surround, LFE1, LFE2), together with the current volume setting ($\pm 00.0\text{dB}$ in the example below). The upper row indicates the current function (Volume in this example), and the asterisk symbols warn of a clipped loudspeaker channel.



The **rc2** remote control can be used with any IB2, MB3, BB6, QB1 configurations.

*	*	*	*		*		*	*		V	o	l	u	m	e
L	C	R	L	s	R	s	1	2	+	0	0	.	0	d	B

1 Standby Mode

Standby mode is activated either on start-up, when power-off is pressed in the main menu, or when a trigger signal is lost if the Trigger ON mode is enabled.

1.1 Trigger-OFF

When the 12V trigger mode is set to OFF in the main menu (see 3.1.3) the default standby mode display will look like this (Note: the backlight will be off, and there is no sub-menu):

Z	z	z													

Actions:

Buttons:

MENU/BACK/PRESETS/MUTE/SELECT: The System turns on and the default display appears (see 2).

Rotary:

UP/DOWN: System turns on, and the default display appears (see 2).

Clip:

Can't be sent because of standby mode.

Trigger:

Can't be sent because of trigger-off mode.

1.2 Trigger-ON

When the 12V trigger mode is set to ON in the main menu (see 3.1.3) the default standby mode display will look like this (Note: Backlight will be off, and there is no sub-menu):

A	w	a	i	t	i	n	g		T	r	i	g	g	e	r

Actions:

Buttons:

MENU: If held for more than two seconds the 12V Trigger Mode is set to OFF.

T	r	i	g	g	e	r		M	o	d	e		O	f	f

This display is shown for two seconds, then the system turns ON and the default display appears (see 2).

BACK/PRESETS/MUTE/SELECT: These buttons do nothing in this mode

UP/DOWN: This control does nothing in this mode.

Can't be sent, because of standby mode.

Turn on, the default display appears (see 2).

Rotary:

Clip:

Trigger:

2 Default Display

This display appears either when there is no menu activity for more than five seconds, when the BACK button is pressed in the main menu, PRESET menu, or PMC SETUP MODE menu, after a button press in standby mode, or after a trigger event (trigger-ON mode) when in standby. Provided no channels are clipping and the system is un-muted, the default display will look like this: (in this example only left and right channels are in use and volume is +15dB)

L	_	R	_	_	_	_	_	_	+	1	5	.	0	d	B
---	---	---	---	---	---	---	---	---	---	---	---	---	---	---	---

Actions:

Rotary:

UP/DOWN changes volume in 0.5dB steps (minimum -48.5dB, maximum +15dB). Save value and send value to all channels.

Button press:

MENU: the main menu appears (see 3).

BACK: If held for more than two seconds the volume locks at the current setting. The display looks like this (with +15.0 volume value as an example):

									V		L	o	c	k	
L	C	R	L	s	R	s	1	2	+	1	5	.	0	d	B

If the BACK button is held again for more than two seconds the volume unlocks and the display reverts to the default display.

PRESET: If pressed briefly the current preset is displayed for two seconds.

If held for more than two seconds, the preset menu appears (see 4).

SELECT: nothing.

MUTE: a mute command will be sent to all channels and the display backlight will flash once per second. The Volume can not be changed during mute. (From now on this will be the default display, until the mute button is pressed in any menu). This display is shown:

A	I	I		C	h	a	n	n	e	I		M	u	t	e

Clip:

If any channel clips an asterisk appears to identify which channels. In the example below the center, right surround, and LFE 2 speakers are clipping.

	*				*			*							
L	C	R	L	s	R	s	1	2	+	1	5	.	0	d	B

Trigger: ON mode: shut down, and show trigger on standby mode (see 1.2).
OFF mode: nothing.

3 Main Menu

The main menu is shown when the MENU button is pressed in the default display, or when BACK is pressed in the setup menus. The sub-menu options which appear depend on the last shown main sub-menu (in this example power off):

P	M	C		R	e	m	o	t	e		V	l	.	0	
P	o	w	e	r			o	f	f						

Sub-menus: Power off, Setup

Actions:

Rotary:

Buttons:

UP/DOWN: scroll up/down in the submenu list.
MENU: nothing.
BACK: default display appears (see 2).
PRESET: If pressed briefly the current preset shown for two seconds. If held for more than two seconds the preset menu appears (see 4).
SELECT: dependent on submenu:
Power off: turn off and shows standby menu (see 1).
Setup: enters setup menu (see 3.1).
MUTE: a mute/un-mute command is sent to all channels. If mute is enabled the display backlight will flash once per second.
Nothing.
Clip:
Trigger: ON mode: shut down and show trigger on standby mode (see 1.2).
OFF mode: nothing.

3.1 Setup Menu

The setup menu is shown when the SELECT button is pressed in the main menu with setup menu as the active sub-menu, or when the BACK button is pressed in the channel select menu, the analogue input sensitivity menu, the 12V trigger mode menu, or the channel settings menu. Which setup sub-menu option appears is dependent on the last shown setup sub-menu option. The last shown setup sub-menu option appears (in this example Channel Aliases):

S	e	t	u	p											
C	h	a	n	n	e	l		A	l	i	a	s	e	s	

Sub-menus Channel Aliases
Analogue Input Sensitivity
12V Trigger Mode
1: Left Master
2: Left XBD*
3: Right Master
4: Right XBD*
5: Centre Master
6: Centre XBD*
7: Left Surr Mast
8: Left Surr XBD*
9: Right Surr Mast
10: Right Surr XBD*
11: LFE1
12: LFE2

*XBD channel aliases are only required if an IB2S XBD-A is integrated into a main monitor series surround monitoring system.

Actions:

Rotary:

Buttons:

UP/DOWN: scrolls up/down through the sub-menu list.
MENU: nothing.
BACK: the main menu appears (see 3).
PRESET: if pressed briefly the current preset is displayed for two seconds. If pressed for more than two seconds the preset menu appears (see 4).
SELECT: dependent on sub-menu.

Channel Aliases: enter Aliases Channel Select menu (see 3.1.1).

Analogue Input Sensitivity: enter Analogue Sensitivity menu (see 3.1.4).

- 12V Trigger Mode:** enter 12V Trigger Mode menu (see 3.1.3).
- 1: Left Master:** enter Channel Settings menu (see 3.1.4).
- 2: Left XBD:** enter Channel Settings menu (see 3.1.4).
- 3: Right Master:** enter Channel Settings menu (see 3.1.4).
- 4: Right XBD:** enter Channel Settings menu (see 3.1.4).
- 5: Centre Master:** enter Channel Settings menu (see 3.1.4).
- 6: Centre XBD:** enter Channel Settings menu (see 3.1.4).
- 7: Left Surr Mast:** enter Channel Settings menu (see 3.1.4).
- 8: Left Surr XBD:** enter Channel Settings menu (see 3.1.4).
- 9: Right Surr Mast:** enter Channel Settings menu (see 3.1.4).
- 10: Right Surr XBD:** enter Channel Settings menu (see 3.1.4).
- 11: LFE1:** enter Channel Settings menu (see 3.1.4).
- 12: LFE2:** enter Channel Settings menu (see 3.1.4).

MUTE: a mute/un-mute command will be sent to all channels and the display backlight will flash once per second when the mute is active.
 Nothing.
 ON mode: shut down and show standby mode (see 1.2).
 OFF mode: nothing.

Clip:
Trigger:

3.1.1 Aliases Channel Select Menu

The aliases channel select menu is shown when the SELECT button is pressed in the setup menu with channel aliases menu as the active sub-menu, or when the BACK button is pressed in channel aliases menu. Which aliases appear in the channel select sub-menu option depends on the last shown aliases channel select sub-menu option (in this example Ch1).

C	h	a	n	n	e	l		A	l	i	a	s	e	s		
C	h	1														

Sub-menus: Access Ch1 through Ch12
Actions:
Rotary: UP/DOWN: scroll up/down in the submenu list.
Buttons: MENU: nothing.
 BACK: the setup menu appears (see 3.1).
 PRESET: if pressed briefly the current preset is displayed for 2 seconds. If pressed for more than two seconds the preset menu appears (see 4).
 SELECT: enters channel aliases menu (see 3.1.2.1).
 MUTE: a mute/un-mute command will be sent to all channels. The display backlight flashes once per second when muted.
Clip: Nothing.
Trigger: ON mode: system shuts down and display shows standby mode (see 1.2).
 OFF mode: nothing.

3.1.1.1 Channel Aliases Menu

The channel aliases menu is shown when the SELECT button is pressed in the aliases channel select menu. The selected channel appears (in the example below, channel one is selected). The channel aliases sub-menu option that appears depends on the current channel alias, but the selected channel and current alias is shown in the display (in this example the default option: None).

C	h	1		A	l	i	a	s								
N	o	n	e													

Sub-menus: None, Left Master, Left XBD, Right Master, Right XBD, Centre Master, Centre XBD, Left Surround Master, Left Surround XBD, Right Surround Master, Right Surround XBD, LFE 1, LFE 2
Actions:
Rotary: Up/Down: scroll up/down in the sub-menu list.
Buttons: MENU: nothing
 BACK: the aliases channel select menu appears (see 3.1.1).
 PRESET: If pressed briefly the current preset is displayed for two seconds. If held for more than two seconds the preset menu appears (see 4).
 SELECT: Stores the current alias.

MUTE: a mute/un-mute command will be sent to all channels. The display backlight will flash once per second when muted.

Clip:

Nothing.

Trigger:

ON mode: system shuts down and display shows standby mode (see 1.2)

Off mode: nothing.

3.1.2 Analogue Input Sensitivity Menu

The analogue input sensitivity menu is shown when the SELECT button is pressed in the setup menu with analogue input sensitivity menu as active sub-menu. The current value appears (in this example +4.00dB). There are no sub-menus.

A	n	a	l	o	g	u	e					S	e	n	s
+	4	.	0	0	d	B									

Actions:

Rotary:

UP/DOWN: change the analogue input sensitivity in steps of 0.25dB, with a minimum value of +4dB and a maximum of +20dB.

Buttons:

MENU: nothing.

BACK: the setup menu appears (see 3.1).

PRESET: If pressed briefly the current preset is displayed for two seconds. If held for more than two seconds the preset menu appears (see 4).

SELECT: saves value and sends to all channels. Setup menu appears (see 3.1).

MUTE: a mute/un-mute command is sent to all channels. The display backlight flashes once per second when muted.

Clip:

Nothing.

Trigger:

ON mode: system shuts down and display shows standby mode (see 1.2).

OFF mode: nothing

3.1.3 12V Trigger Mode Menu

The 12V trigger mode menu is shown when the SELECT button is pressed in the setup menu with 12V trigger mode menu as active sub-menu. The current setting appears (this example shows the ON mode).

1	2	V		T	r	i	g	g	e	r		M	o	d	e
O	n														

Sub-menu:

ON or OFF

Actions:

Rotary:

UP/DOWN: scrolls up/down through the sub-menu list.

Buttons:

MENU: nothing.

BACK: the setup menu appears (see 3.1) .

PRESET: If pressed briefly the current preset is displayed for two seconds.

If held for more than two seconds the preset menu appears (see 4).

SELECT: saves setting and sends to all channels. The setup menu appears (see 3.1). Note: Trigger must be attached to first channel.

MUTE: a mute/un-mute command is sent to all channels. The display backlight flashed once per second when muted.

Clip:

Nothing.

Trigger:

ON mode: system shuts down and standby mode displayed (see 1.2).

OFF mode: nothing.

3.1.4 Channel Settings Menu

The Channel Settings menu is shown when the SELECT button is pressed in the setup menu with Channel Settings menu as active sub-menu, or when the back button is pressed in main source menu, main trim menu, LFE source, or LFE trim menu. The selected channel in the setup menu and selected alias appears (in this example 1, Left Master). Which Channel Settings sub-menu option appears depends on the last shown channel settings sub-menu option (in this example Main Source).

L	e	f	f		M	a	s	t	e	r					
M	a	i	n		S	o	u	r	c	e					

Sub-menus: Main Source
Main Trim
LFE Source
LFE Trim

Actions:

Rotary: UP/DOWN: scrolls up/down through the sub-menu list.
MENU: nothing.

Buttons: BACK: the setup menu appears (see 3.1).
PRESET: If pressed briefly the display shows the current preset for two seconds. If held for more than two seconds the preset menu appears (see 4).
SELECT: depends on sub-menu:
Main Source: enter Main Source menu (see 3.1.4.1).
Main Trim: enter Main Trim menu (see 3.1.4.2).
LFE Source: enter LFE Source menu (see 3.1.4.3).
LFE Trim: enter LFE Trim menu (see 3.1.4.4).
MUTE: a mute/un-mute command is sent to all channels. The display backlight will flash once per second when muted.

Clip: Nothing.

Trigger: ON mode: system shuts down and display shows standby mode (see 1.2).
OFF mode: nothing.

3.1.4.1 Main Source Menu

The Main Source menu is shown when the SELECT button is pressed in the Channel Setting menu with Main Source as active sub-menu. The selected channel in the channel settings menu appears (in the example below, Channel 1). Which Main source sub-menu option appears depends on the current main source (in this example, Analogue In). Note: When Master Only Mode is not set the XBD cabinets settings are copied over from the master cabinets settings.

C	h	1		M	a	i	n		S	o	u	r	c	e	
A	n	a	l	o	g	u	e		l	n					

Sub-menus: Analogue In, Main AES3 Left, Main AES3 Right.

Actions:

Rotary: UP/DOWN: scroll up/down in the sub-menu list.

Buttons: MENU: nothing.
BACK: the channel settings menu appears (see 3.1.4).
PRESET: If pressed briefly the current preset is displayed for two seconds. If held for more than two seconds the preset menu appears (see 4).
SELECT: saves setting and sends to selected channel. The channel settings menu appears (see 3.1.4).
MUTE: a mute/un-mute command is sent to all channels. The display backlight flashes once per second when muted.

Clip: Nothing.

Trigger: ON mode: system shuts down and standby mode displayed (see 1.2).
OFF mode: nothing.

3.1.4.2 Main Trim Menu

The Main Trim menu is shown when the SELECT button is pressed in the Channel Setting menu with Main Trim as active sub-menu. The selected channel in the channel settings menu appears (in this example, Ch1) with the current value (in this example +1.00dB).

C	h	1		M	a	i	n		T	r	i	m			
+	1	.	0	0	d	B									

Actions:

Rotary: UP/DOWN: changes the Main trim in steps of 0.125dB. The minimum setting is -8.00dB and the maximum is +7.87dB.

Buttons: MENU: nothing.
BACK: the channel settings menu appears (see 3.1.4).
PRESET: If pressed briefly the current preset is displayed for two seconds. If held for more than two seconds the preset menu appears (see 4).
SELECT: saves value and sends to selected channel. The channel settings

menu appears (see 3.1.4).

MUTE: a mute/un-mute command is sent to all channels. The display backlight flashes once per second when muted.

Clip:

Nothing.

Trigger:

ON mode: system shuts down and standby mode is displayed (see 1.2).

OFF mode: nothing.

3.1.4.3 LFE Source Menu

The LFE Source menu is shown when the SELECT button is pressed in the Channel Setting menu with LFE Source as active sub-menu. The selected channel in the channel settings menu appears (in this example Ch1). Which LFE source sub-menu option appears depends on the current LFE source (in this example None).

C	h	1	:	L	F	E		S	o	u	r	c	e			
N	o	n	e													

Sub-menus:

None, LFE AES3 Chan A, LFE AES3 Chan B, Analogue In.

Actions:

Rotary:

UP/DOWN: scrolls up/down through the sub-menu list.

Buttons:

MENU: nothing.

BACK: the channel settings menu appears (see 3.1.4).

PRESET: If pressed briefly the current preset is displayed for two seconds.

If held for more than two seconds the preset menu appears (see 4).

SELECT: saves setting and sends to selected channel. The channel settings menu appears (see 3.1.4).

MUTE: a mute/un-mute command is sent to all channels. The display backlight flashes once per second when muted.

Clip:

Nothing.

Trigger:

ON mode: system shuts down and standby mode is displayed (see 1.2).

OFF mode: nothing.

3.1.4.4 LFE Trim Menu

The LFE Trim menu is shown when the SELECT button is pressed in the Channel Setting menu with LFE Trim as the active sub-menu. The selected channel in the channel settings menu appears (in this example, Ch1) and the current value appears (in this example +1.00dB). There are no sub-menus.

C	h	1	:	L	F	E		T	r	i	m				
+	1	.	0	0	d	B									

Actions:

Rotary:

UP/DOWN: changes the Main trim in steps of 0.125dB. The minimum value is -8.00dB and the maximum is +7.87dB.

Buttons:

MENU: nothing.

BACK: the channel settings menu appears (see 3.1.4).

PRESET: If pressed briefly the current preset is displayed for two seconds.

If held for more than two seconds the preset menu appears (see 4).

SELECT: saves value and sends to selected channel. The channel settings menu appears (see 3.1.4).

MUTE: a mute/un-mute command is sent to all channels. The display backlight flashes once per second when muted.

Clip:

Nothing.

Trigger:

ON mode: system shuts down and standby mode is displayed (see 1.2).

OFF mode: nothing.

4 Preset Menu

The preset menu is shown whenever the PRESET button is pressed (unless in standby mode), or when the BACK button is pressed in the preset setup menu. Which preset sub-menu option appears depends on the last shown preset sub-menu option (this example shows the Preset Setup). An asterisk means the name is changeable by the user.

P	r	e	s	e	t												
P	r	e	s	e	t		S	e	t	u	p						

Sub-menus: Preset Setup, No Preset, Preset A* to Preset E*.
Actions:
Rotary: UP/DOWN: scrolls up/down through the sub-menu list.
Buttons: MENU: nothing.
 BACK: the default display appears (see 2).
 PRESET: If pressed briefly the current preset is displayed for two seconds. If held for more than two seconds: nothing.
 SELECT: depends on sub-menu:
 Preset Setup: enters Preset Setup menu (see 4.1).
 No Preset: clears preset values. Shows selected preset for two seconds and enters default display (see 2).
 Preset A*-E*: activates preset A-E settings. Displays selected preset for two seconds and enters default display (see 2).
 MUTE: a mute/un-mute command is sent to all channels. The display backlight flashes once per second when muted.
Clip: Nothing.
Trigger: ON mode: system shuts down and standby mode displayed (see 1.2).
 OFF mode: nothing.

4.1 Preset Setup Menu

The preset setup menu is shown when the SELECT button is pressed in the preset menu with preset setup as the active sub-menu, or when the BACK button is pressed in the preset aliases menu or preset settings menu. Which setup sub-menu option appears depends on the last shown preset setup sub-menu option (in this example, Preset Aliases).

P	r	e	s	e	t		S	e	t	u	p						
P	r	e	s	e	t		A	l	i	a	s	e	s				

Sub-menus: Preset Aliases, 1: Preset A* to 5: Preset E*.
Actions:
Rotary: UP/DOWN: scrolls up/down through the sub-menu list.
Buttons: MENU: nothing.
 BACK: the preset menu appears (see 4).
 PRESET: If pressed briefly the current preset is displayed for two seconds. If held for more than two seconds the preset menu appears (see 4).
 SELECT: depends on sub-menu:
 Preset Aliases: enter Aliases Preset Select menu (see 4.1.1)
 Preset A*-E*: enter Preset settings menu (see 4.1.2)
 MUTE: a mute/un-mute command is sent to all channels. The display backlight flashes once per second when muted.
Clip: Nothing.
Trigger: ON mode: system shuts down and standby mode is displayed (see 1.2).
 OFF mode: nothing.

4.1.1 Preset Aliases Select Menu

The aliases preset select menu is shown when the SELECT button is pressed in the preset setup menu with aliases preset select as active sub-menu. Which aliases preset select sub-menu option appears depends on the last shown aliases preset select sub-menu option (in this example, 1).

P	r	e	s	e	t		A	l	i	a	s	e	s				
1	:	P	r	e	s	e	t		A								

Sub-menus: 1: Preset A* to 5: Preset E*
Actions:
Rotary: UP/DOWN: scrolls up/down through the sub-menu list.
Buttons: MENU: nothing.
 BACK: the preset setup menu appears (see 4).
 PRESET: If pressed briefly the current preset is displayed for two seconds.

Clip: If held for more than two seconds the preset menu appears (see 4).
Trigger: SELECT: depends on sub-menu.
MUTE: a mute/un-mute command is sent to all channels. The display backlight flashed once per second when muted.
Nothing.
ON mode: system shuts down and standby mode displayed (see 1.2).
OFF mode: nothing.

4.1.1.1 Preset Aliases Menu

The preset aliases menu is shown when the SELECT button is pressed in the preset setup menu. The selected preset is shown (in this example 1). Which alias appears depends on the last stored alias.

P	r	e	s	e	t		1		A	l	i	a	s		
P	r	e	s	e	t		A								

Sub-menus: A to Z.
Actions:
Rotary: If no place selected: UP/DOWN scrolls between characters, left to right.
If place selected, UP/DOWN scrolls through the alphabet.
Buttons: MENU: nothing.
BACK: the aliases preset select menu appears (see 4.1.1).
PRESET: if pressed briefly the current preset is displayed for two seconds.
If held for more than two seconds the preset menu appears (see 4).
SELECT: When no character is selected this highlights the current position to change character. The UP/DOWN rotary function can then be used to scroll through the alphabet. Selecting a character stores the current character.
MUTE: a mute/un-mute command is sent to all channels. The display backlight flashes once per second when muted.
Nothing.
Clip: ON mode: system shuts down and standby mode displayed (see 1.2).
Trigger: OFF mode: nothing.

4.1.2 Preset Settings Menu

The preset settings menu is shown when the SELECT button is pressed in the preset setup menu with one of the five presets as active sub-menu, or when the BACK button is pressed in the preset Front or Rear LF or HF Shelf menus, or the master only mode menu. Which preset settings sub-menu option appears depends on the last shown preset settings sub-menu option (in this example Front LF Shelf).

P	r	e	s	e	t		S	e	t	t	i	n	g	s	
F	r	o	n	t		L	F		S	h	e	l	f		

Sub-menus: Front LF Shelf, Front HF Shelf, Rear LF Shelf, Rear HF Shelf, Master Only Mode.
Actions:
Rotary: UP/DOWN: scrolls up/down through the sub-menu list.
Buttons: MENU: nothing.
BACK: the preset setup menu appears (see 4).
PRESET: if pressed briefly the current preset is displayed for two seconds.
If held for more than two seconds the preset menu appears (see 4).
SELECT: depends on sub-menu:
Front LF Shelf: enter Front LF Shelf menu.
Front HF Shelf: enter Front HF Shelf menu.
Rear LF Shelf: enter Rear LF Shelf menu.
Rear HF Shelf: enter Rear HF Shelf menu.
MUTE: a mute/un-mute command is sent to all channels. The display backlight flashes once per second when muted.
Nothing.
Clip: ON mode: system shuts down and standby mode displayed (see 1.2).
Trigger: OFF mode: nothing.

4.1.2.1 Front LF Shelf Menu

The Front LF Shelf menu is shown when the SELECT button is pressed in the preset settings menu with Front LF Shelf as active sub-menu (in this example 1), along with the current value (in this example +1.00dB). There are no sub-menus.

1	:	F	r	o	n	t		L	F		S	h	e	l	f
+	1	.	0	0	d	B									

Actions:

Rotary:

UP/DOWN: changes the Front LF Shelf in steps of 0.125dB. The minimum value is -8.00dB and the maximum is +7.87dB

Buttons:

MENU: nothing.

BACK: the preset settings menu appears (see 4.1.2).

PRESET: if pressed briefly the current preset is displayed for two seconds.

If held for more than two seconds the preset menu appears (see 4).

SELECT: saves value and sends to all channels. The preset settings menu appears (see 4.1.2).

MUTE: a mute/un-mute command is sent to all channels. The display backlight flashes once per second when muted.

Clip:

Nothing.

Trigger:

ON mode: system shuts down and the standby mode is displayed (see 1.2).
OFF mode: nothing.

4.1.2.2 Front HF Shelf Menu

The Front HF Shelf menu is shown when the SELECT button is pressed in the preset settings menu with Front HF Shelf as active sub-menu. The selected preset in the preset settings menu appears (1 in this example) along with the current value (+1.00dB). There are no sub-menus.

1	:	F	r	o	n	t		H	F		S	h	e	l	f
+	1	.	0	0	d	B									

Actions:

Rotary:

UP/DOWN: changes the Front HF Shelf in steps of 0.125dB. The minimum value is -8.00dB and the maximum is +7.87dB.

Buttons:

MENU: nothing.

BACK: the preset settings menu appears (see 4.1.2).

PRESET: if pressed briefly the current preset is displayed for two seconds.

If held for more than two seconds the preset menu appears (see 4).

SELECT: saves value and sends to all channels. The preset settings menu appears (see 4.1.2).

MUTE: a mute/un-mute command is sent to all channels. The display backlight flashes once per second when muted.

Clip:

Nothing.

Trigger:

ON mode: system shuts down and the standby mode is displayed (see 1.2).
OFF mode: nothing.

4.1.2.3 Rear LF Shelf Menu

The Rear LF Shelf menu is shown when the SELECT button is pressed in the preset settings menu with Rear LF Shelf as active sub-menu. The selected preset in the preset settings menu appears (1 in this example) along with the current value (in this example +1.00dB). There are no sub-menus.

1	:	R	e	a	r		L	F		S	h	e	l	f
+	1	.	0	0	d	B								

Actions:

Rotary:

UP/DOWN: changes the rear LF Shelf in steps of 0.125dB. The minimum value is -8.00dB and the maximum is +7.87dB.

Buttons:

MENU: nothing.

BACK: the preset settings menu appears (see 4.1.2).

PRESET: if pressed briefly the current preset is displayed for two seconds.

If held for more than two seconds the preset menu appears (see 4).

Clip: SELECT: saves value and sends to all channels. The preset settings menu appears (see 4.1.2).
Trigger: MUTE: a mute/un-mute command is sent to all channels. The display backlight flashes once per second when muted.
 Nothing.
 ON mode: system shuts down and the standby mode is displayed (see 1.2).
 OFF mode: nothing.

4.1.2.4 Rear HF Shelf Menu

The Rear HF Shelf menu is shown when the SELECT button is pressed in the preset settings menu with Rear HF Shelf as active sub-menu. The selected preset in the preset settings menu appears (1 in this example) along with the current value (in this example +1.00dB). There are no sub-menus.

1	:	R	e	a	r		H	F		S	h	e	l	f	
+	1	.	0	0	d	B									

Actions:
Rotary: UP/DOWN: changes the rear LF Shelf in steps of 0.125dB. The minimum value is -8.00dB and the maximum is +7.87dB.
Buttons: MENU: nothing
 BACK: the preset settings menu appears (see 4.1.2)
 PRESET: if pressed briefly the current preset is displayed for two seconds. If held for more than two seconds the preset menu appears (see 4)
 SELECT: saves value and sends to all channels. The preset settings menu appears (see 4.1.2)
 MUTE: a mute/un-mute command is sent to all channels. The display backlight flashes once per second when muted.
Clip: Nothing
Trigger: ON mode: system shuts down and the standby mode is displayed (see 1.2).
 OFF mode: nothing.

Summary Table

The table on the following two pages summarises the menu structure of these control functions and associated displays, with reference to the notes below:

- Note that Aliases are assigned to speakers in the order that they are connected via the RJ45 In and Thru sockets. The speaker connected directly to the remote control is always alias number 1.
- "Select" is the push button action of the rotary encoder.
- The Mute button mutes all channels, in which condition the display backlight flashes.
- For preset alias, select from alphabet/numerals using rotary encoder and click (up to 10 chars).
- XBD channel aliases are only required if an IB2S XBD-A is integrated into a main monitor series surround monitoring system.
- Front LCR ganged. Rear surrounds ganged.
- Alias name of preset
- Defaults to volume level and channel clip display after no remote activity for >60 sec.
- If Trigger mode on, then the display shows "Awaiting Trigger" when the system is in standby. External trigger signal on is required on 1st loudspeaker in the chain.
- Sets input level required to obtain rated output



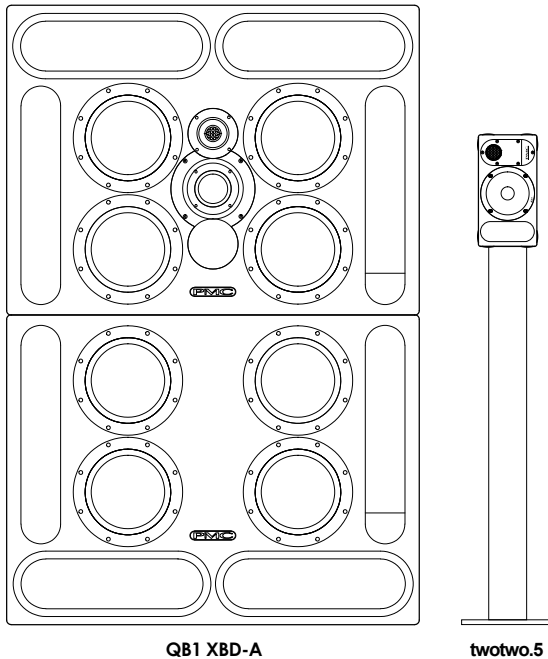
Please Note that the final loudspeaker in the chain must have the loopback connector fitted to the RJ45 Remote Thru socket.

Display	Buttons	Rotary	Select (2)	Rotary	Select	Rotary	Select	Rotary	Select
Volume (8)		Volume		-48.5 to +15db					
Chan Assignment									
Chan Clip									
Volume/Vlock	Back >2 secs								
	Menu	Power Off	-	Zzz					
Awaiting Trigger	(10)		-						
Trigger Mode Off	Menu >2 secs								
		Setup							
			-	Channel Aliases	-	Ch.1 (1)	-	None	-
								Left Master	-
								Left XBD (5)	-
								Right Master	-
								Right XBD	-
								Centre Master	-
								Centre XBD	-
								Left Surr Master	-
								Left Surr XBD	-
								Right Surr Master	-
								Right Surr XBD	-
								LFE 1	-
								LFE 2	-
All Channel Mute	Mute (3)								
Blacklight Flashes						Ch.2	-		
						Ch.3	-		
						Ch.4	-		
						Ch.5	-		
						Ch.6	-		
						Ch.7	-		
						Ch.8	-		
						Ch.9	-		
						Ch.10	-		
						Ch.11	-		
						Ch.12	-		
				Analogue In Sens	-	+4dB to +20dB	- (10)		
				12V Trigger Mode	- (9)	On	-		
					-	Off	-		

Current Preset	Presets	Left Master	Main Source	Analogue In
Presets >2 secs <td>Preset Setup <td></td> <td></td> <td>Main AES3 Left</td> </td>	Preset Setup <td></td> <td></td> <td>Main AES3 Left</td>			Main AES3 Left
Presets >2 secs	Preset Setup <td></td> <td></td> <td>Main AES3 Right</td>			Main AES3 Right
			Main Trim	-8.00 to +7.87dB
			LFE Source	None
				LFE AES3 Ch.A
				LFE AES3 Ch.B
				Analogue In
			LFE Trim	-8.00 to +7.87dB
		Left XBD	-	
		Right Master	-	
		Right XBD	-	
		Centre Master	-	
		Centre XBD	-	
		Left Surr Master	-	
		Left Surr XBD	-	
		Right Surr Master	-	
		Right Surr XBD	-	
		LFE 1	-	
		LFE 2	-	
Current Preset	Presets			
Presets >2 secs	Preset Setup	Presets Allases	-	ABC... (4)
			Presets A	
			Presets B	
			Presets C	
			Presets D	
			Presets E	
		1: Preset A	Front LF Shelf (6)	-8.00 to +7.87dB
			Front HF Shelf	-8.00 to +7.87dB
			Rear LF Shelf	-8.00 to +7.87dB
			Rear HF Shelf	-8.00 to +7.87dB
		2: Preset B	-	
		3: Preset C	-	
		4: Preset D	-	
		5: Preset E	-	
	No Preset			
	1: Preset A (7)			
	2: Preset B			
	3: Preset C			
	4: Preset D			
	5: Preset E			

The PMC range

The PMC range of professional monitors currently spans 27 different models, from the enormous QB1 XBD-A flagship system down to the diminutive **twotwo.5** active speaker. However, every monitor is designed with the same care and attention, using shared families of drive units, crossover designs and amplifiers. As a direct consequence they all enjoy the same family characteristics of wide dispersion, low distortion, consistent voicing, and an even bass response regardless of listening level. This feature allows different sizes of monitors to be used in concert to create effective multichannel systems where space is at a premium.



Service

We are confident that your main monitors will afford many years of trouble-free listening of the highest order. However, in the unlikely event that they should require repair, all replacement parts will exactly match the performance of those originally installed, because for every loudspeaker we produce, we record the precise value of each component, along with the system response as a whole.

For any issues that might arise, or for advice and service requirements, the primary point of contact should be your authorised PMC dealer/distributor. If you do not have a local representative see www.pmc-speakers.com and click on 'where to buy' to locate them.

Important Note:

Please do not return any products to PMC directly without first contacting our service department by email at service@pmc-speakers.com. Alternatively you can fill out a service request form at www.pmc-speakers.com/support/service-request



Meticulous care and attention

All PMC loudspeakers are hand-built in the UK using components that are individually matched to our reference model. This includes the structural integrity of every cabinet, and the testing and recording of each individual component to guarantee adherence to our strict tolerances. In this way we can ensure your purchase sounds identical to the original design.

Each completed monitor undergoes a set of objective listening tests and measurements. For example, frequency response sweeps ensure that the unit meets our exacting performance criteria, and critical listening tests are conducted against the reference model using a wide variety of audio material, from a benchmark BBC speech recording to carefully selected classical music, pop and rock tracks.



Warranty online

SIMPLY ACTIVATE YOUR 5-YEAR
WARRANTY ON-LINE

GO TO WWW.PMC-SPEAKERS.COM AND CLICK ON REGISTER PRODUCT



If you do not have access to the internet fill in the warranty forms on pages 52 to 54, and post pages 53-54 to us.

WARRANTY CERTIFICATE - PART 1

Your copy to keep

Please complete and retain this page for your own records

Product

Serial No's

Date of purchase

Dealer's name

Dealer's address

Town

County

Postcode

Dealer's Telephone No.

Servicing and warranty issues – Please read the following carefully.

Non-UK clients

Contact your local dealer/distributor for the details of warranty repairs – see www.pmc-speakers.com and click on 'where to buy' for their details.

UK clients

In the unlikely event of a fault occurring with your PMC product please contact your dealer where the product was purchased.

Do not return a product to PMC without firstly contacting our technical department. If the product needs to be returned for service you will be issued with a Returns Authorisation number.

If a product is returned to PMC and subsequently is found to have no fault or a non-warranty fault there will be minimum charge of £50.00 plus the carriage for its return.

Proof of purchase is required for any claim covered by this warranty.

This product is warranted for a period of five years from the date of purchase or valid warranty registration which is either by receipt of the 'Our Copy' card or an on-line registration which must be made within ten days of purchase or receipt.

The warranty covers defects due to faulty materials or workmanship but does not cover defects arising from accidental damage, misuse or wear and tear. The warranty is void if any attempt has been made by persons not authorised by PMC to dismantle, repair or modify any part of the product.

Products must be returned using original packing material. This warranty does not cover damage in transit.

Note that the cost of the carriage to PMC is not covered by the warranty.

Returned products that are defective but no longer covered by warranty will be repaired or replaced at the discretion of PMC.

Please allow a minimum of 14 working days for return of warranty repairs.

This warranty does not affect your consumer rights under statutory law. This warranty certificate is only valid in the United Kingdom.

THE PROFESSIONAL MONITOR COMPANY LIMITED Holme Court Biggleswade SG18 9ST UK T +44 (0)1767 686300 F +44 (0)870 4441045

WARRANTY CERTIFICATE - PART 2

PMC's copy

Please complete and return this section – or simply complete the on-line registration at www.pmc-speakers.com and click on 'register product.'

Product

Serial No's

Date of purchase

Purchased from

Your name

Your email address

Your address

Town

County

Postcode/Zip code

Help us to improve
our products.
See over



Your comments — help us improve

We value all of our clients' comments. Please take a moment to help us improve.

If there is one thing we should change, what would it be?

Please tell us how your new PMC loudspeakers perform. Your comments may appear on the customer quotes section for this product on our website – but don't worry, the comments will be anonymous and your personal details will not be published.

Which magazines do you read?

HiFi

HiFi Choice

What HiFi

Stereophile

HiFi World

HiFi Critic

HiFi News

HiFi+

Gramophone

Pro

Future Music

Sound On Sound

Audio Media

Pro Sound News

Resolution

Audio Fanzine

IBE

Tape Op

Lifestyle

T3

Stuff

GQ

Mens Health

FHM

Loaded

Maxim

Esquire

On-Line

mixonline.com

gearslutz.com

avreview.co.uk

avforums.com

HiFi WigWam.com

What HiFi.com

SoundonSound.com

SoundonSound/forum

'We hope you enjoy your latest purchase as much as we enjoyed designing and building them – Thank you'

Inspection certificate

Every component employed within a PMC product is measured, tested, matched and recorded by hand. This analysis also applies to the final product to ensure you receive an identical replica of the original reference model.

- Enclosure finish
- Assembly & Wiring
- Driver installation
- Enclosure seal
- Level – Frequency
- Pair matching
- Active electronics inspection
- Active electronics test
- Listening test 1
- Listening test 2
- Final inspection
- Accessory pack
- User Guide

The above have all been carefully checked by the builder of your PMC monitors.



Inspection certificate cont.

Model name

Hand built by

Date

System serial number information

Master cabinets

XBD cabinets

control1200

power2400

.....

.....

.....

.....

.....

.....

.....

.....

.....

.....

.....

.....

.....

.....

.....

.....

.....

.....

.....

.....

.....

.....

.....

.....

© 2019 PMC. All rights reserved.

This document should not be construed as a commitment on the part of The Professional Monitor Company Limited (PMC). The information it contains is subject to change without notice. PMC assumes no responsibility for errors that may appear within this document. Information subject to change.

CE Conformity PMC passive loudspeakers conform to CE Directive LVD 73/23/EEC and EMC 89/336/EEC.
WEEE European directive - PMC is a member of a National Compliance scheme and have gained the associated certification of compliance and the following registration number from the Environment Agency WEEE/GJ0101WU

WEEE EU Directive
This symbol on the product or in/on its packaging indicates that this product must not be disposed of with other household waste. It is the responsibility of the owner to dispose of waste equipment via a designated collection point for the recycling of waste electrical and electronic equipment. The recycling of your waste equipment is an attempt to conserve natural resources and ensures that it is recycled in a manner that protects human health and the environment. For more information about where you dispose of your waste equipment for recycling, please contact your local waste/recycling authority or the dealer from whom you purchased the product.







T + 44 (0) 1767 686300
E sales@pmc-speakers.com
W www.pmc-speakers.com

PMC[®]

Job No. 898v4 - Jan 2021
PMC stock code 15584v4