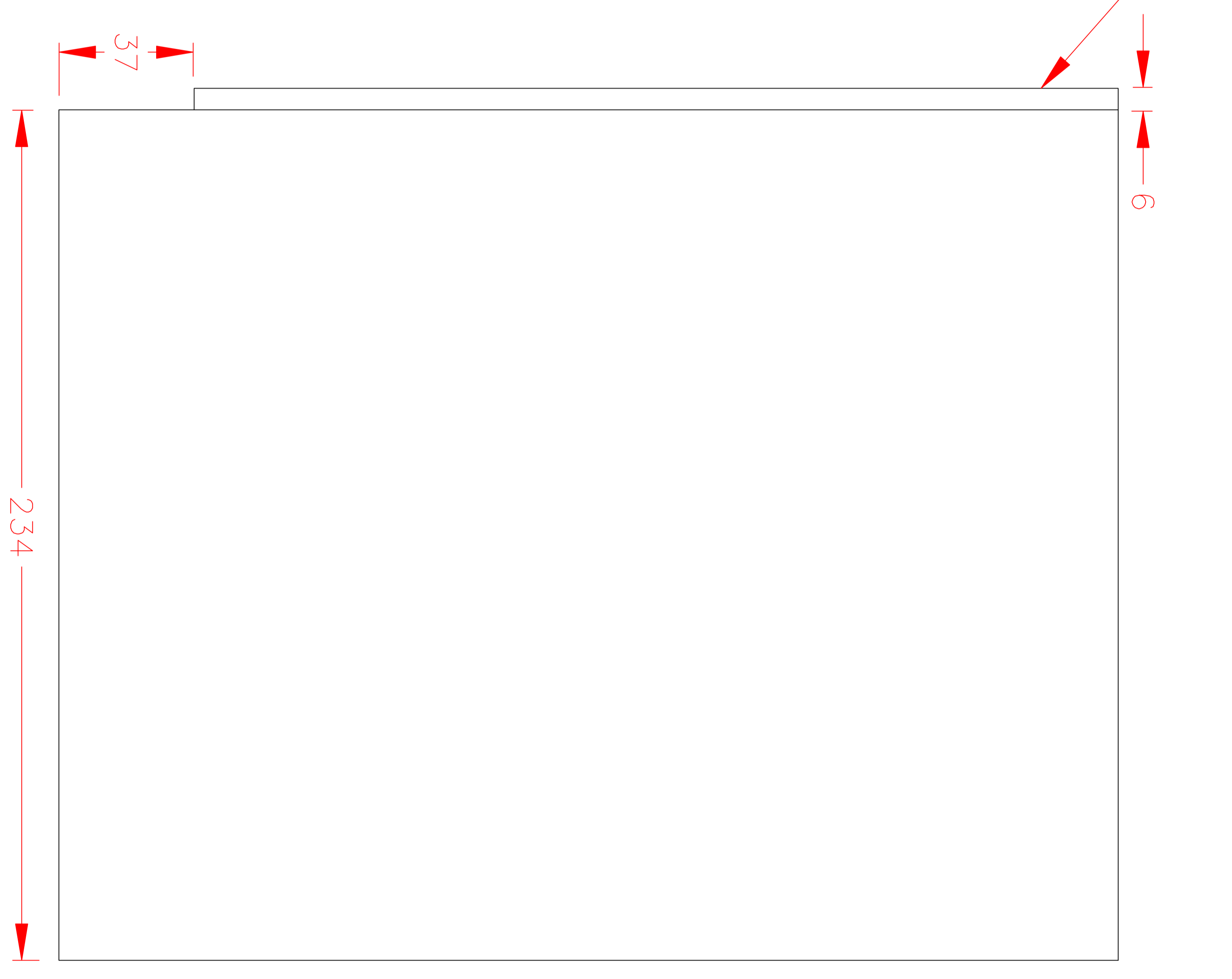
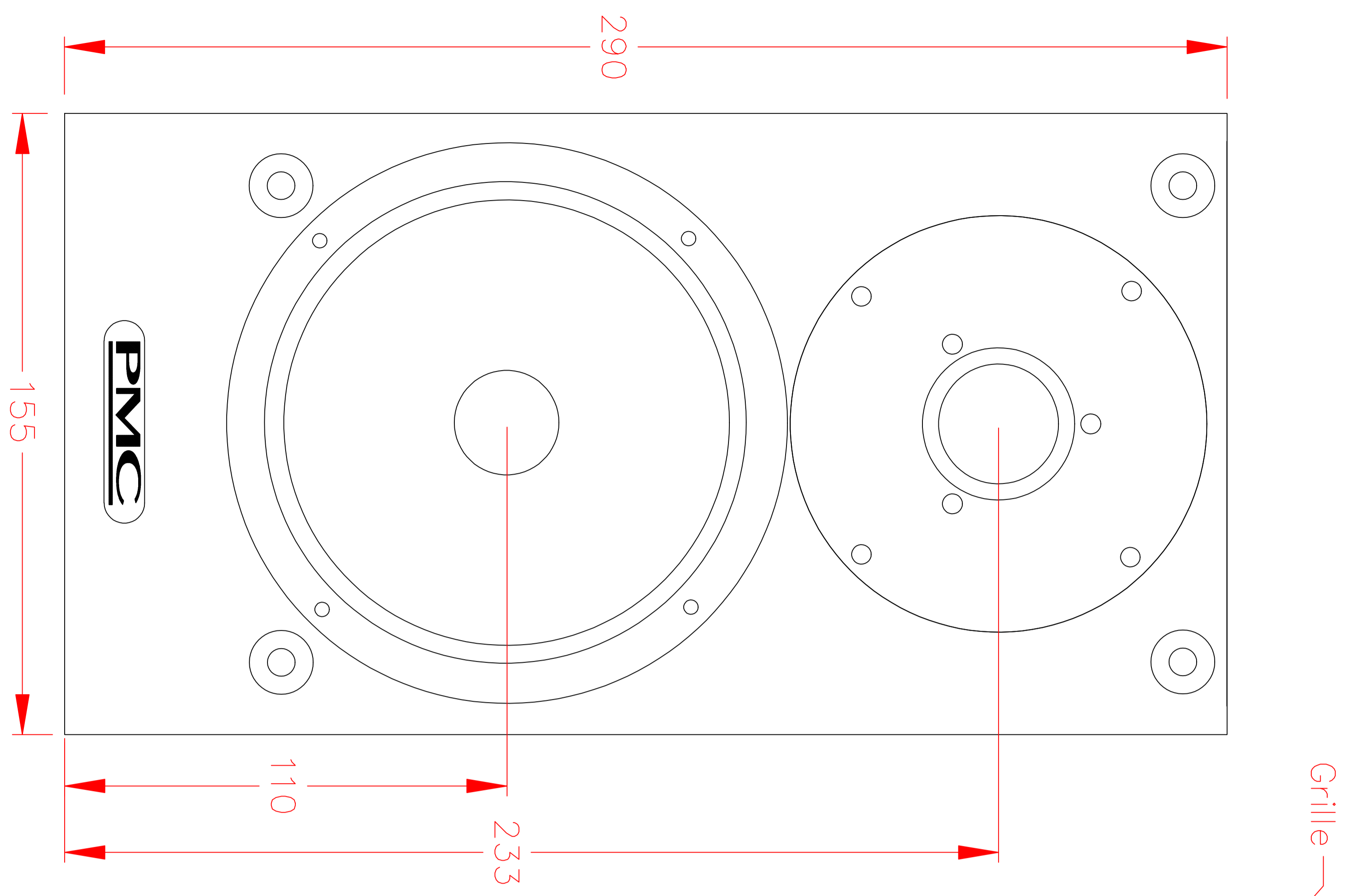
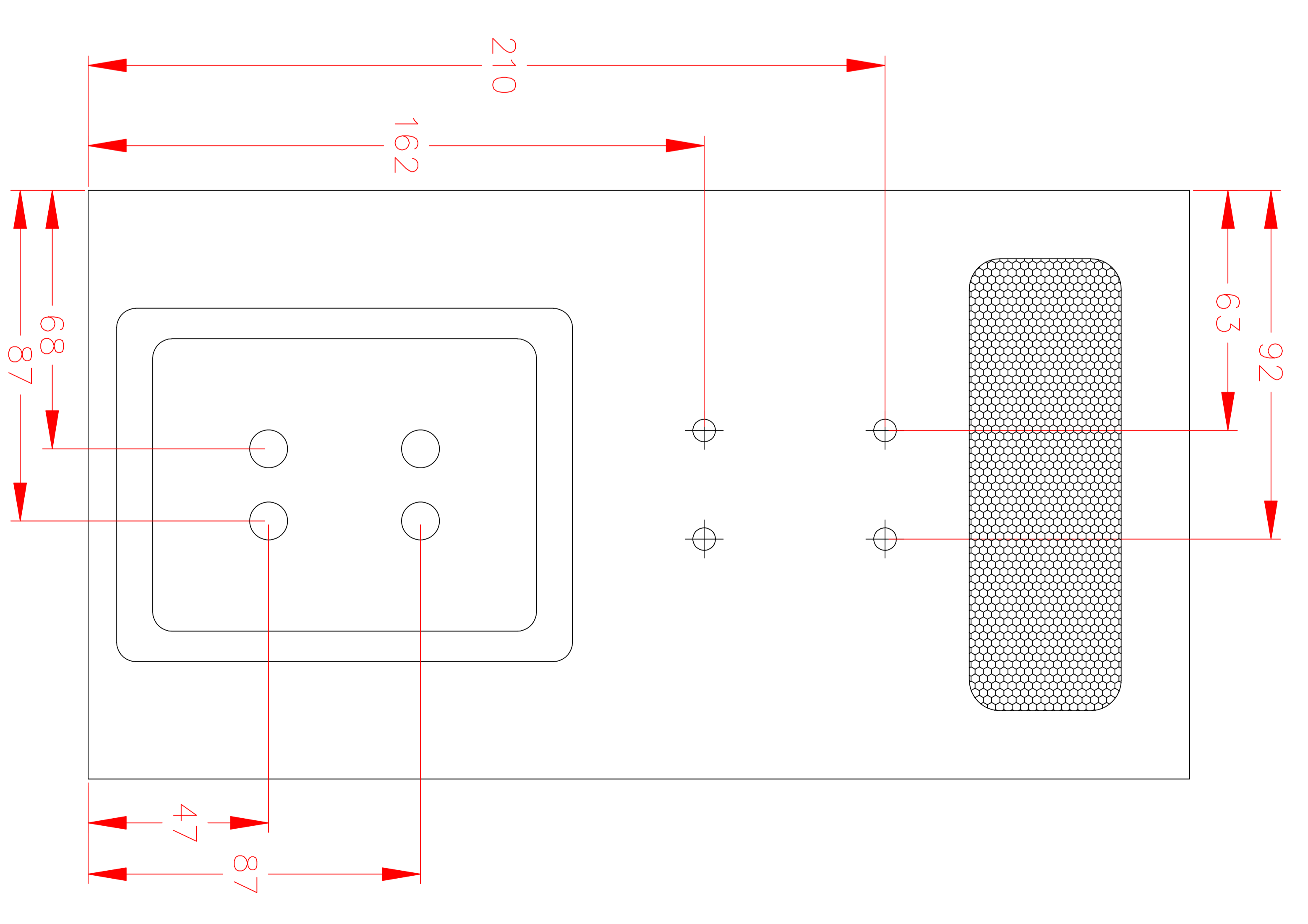


1 A B C D E F G H J K



Grille



10

9

8

7

6

5

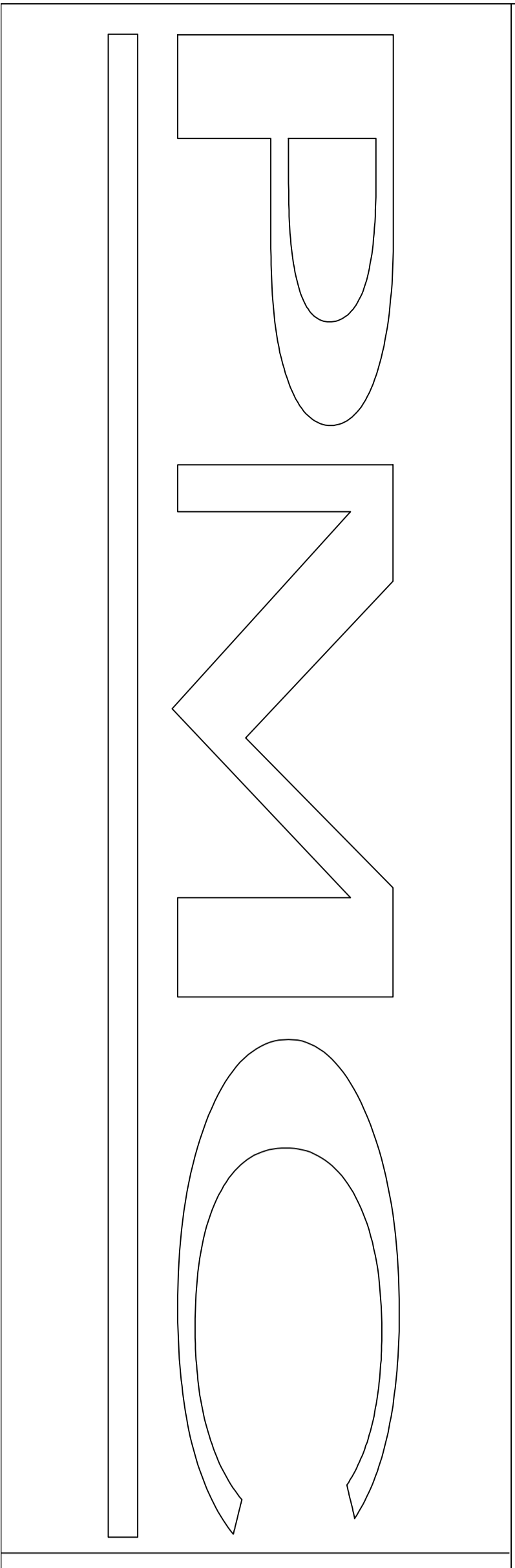
4

3

2

1

ALL DIMENSIONS IN MILLIMETRES



THE PROFESSIONAL MONITOR COMPANY
 43-45 Crawley Green Road
 Luton, Bedfordshire LU2 0AA
 TEL: 0870 4441044 FAX: 0870 4441044

ORIGINAL	DATE	INIT
APPROVED		
ISSUE 1	27-10-06	OAT
ISSUE 2		
ISSUE 3		

PROJECT DB1

TITLE DB1 DIMENSIONS
 DRAWING NO. DB1N1
 SHEET /